

SIF

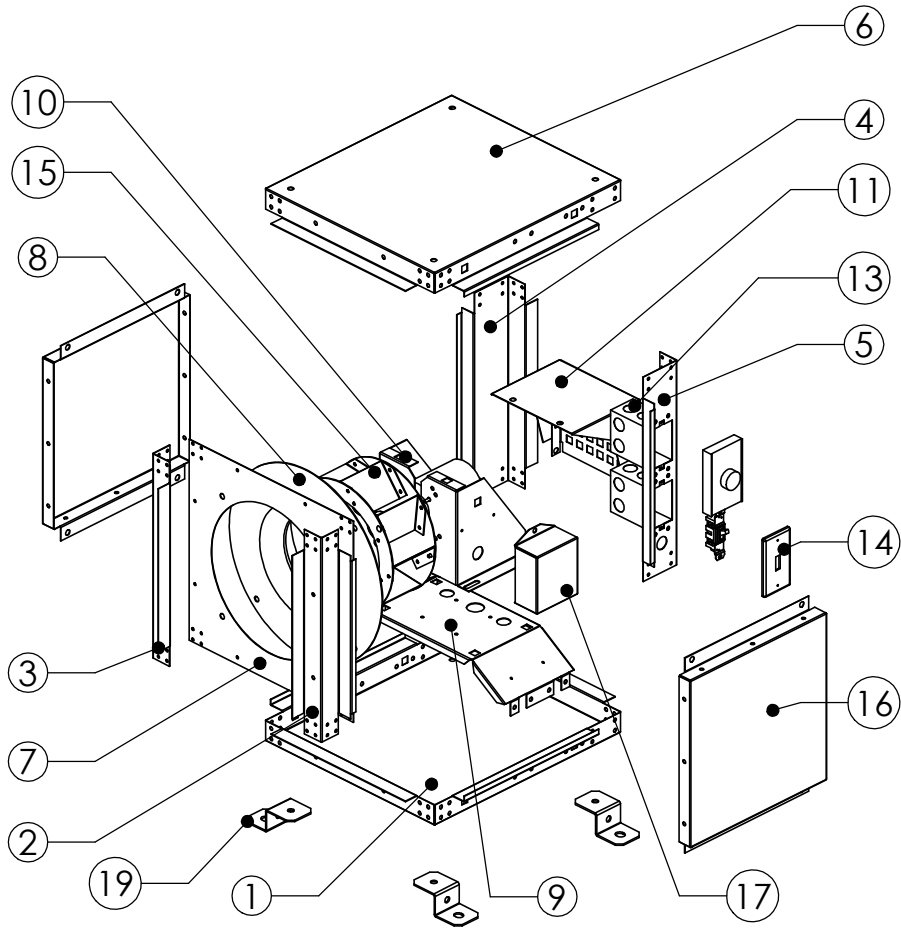
Exploded  
Views

10/11/2021

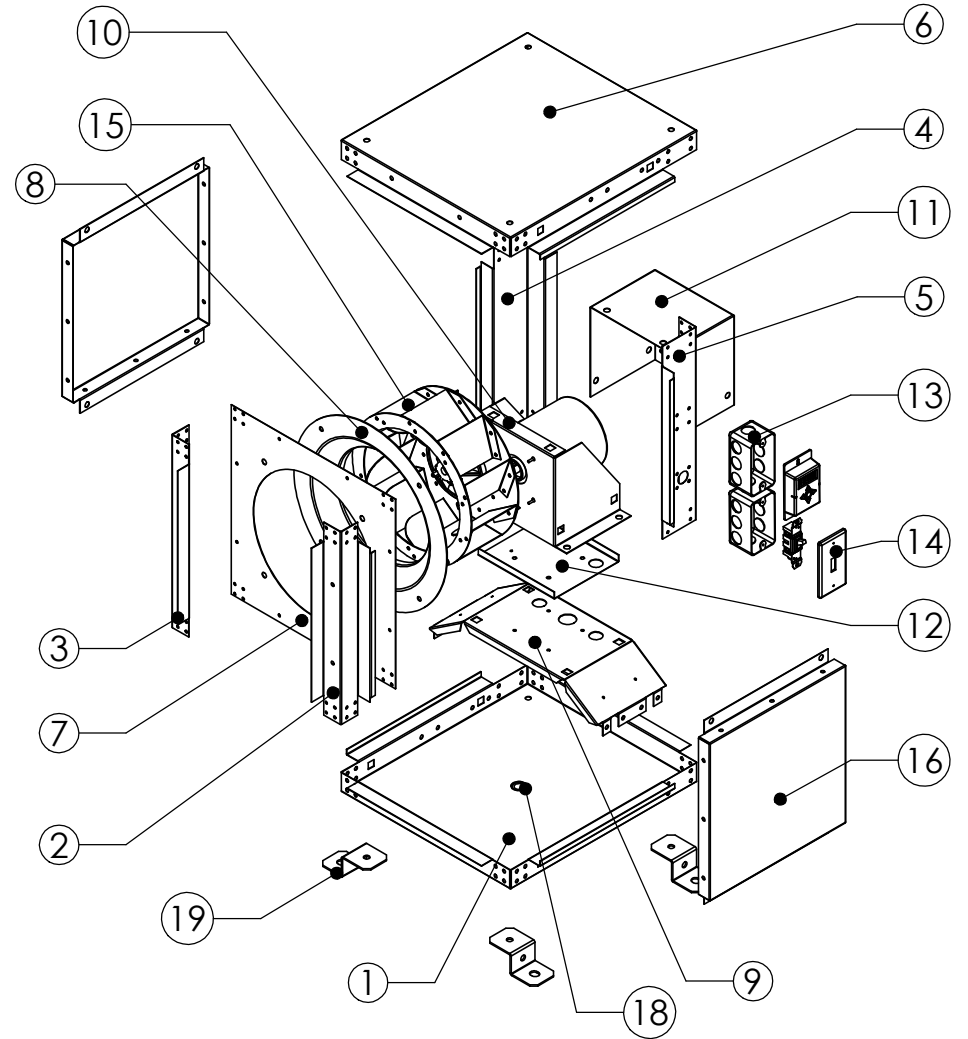
# Direct Drive Square Inline Fan 9-10

Direct Drive Square Inline Fan - Part Information									
Item #	Description of Parts	9DD	#	10DD	#	9DD-SS	#	10DD-SS	#
1	Base	SIF910DDBASE	1	SIF910DDBASE	1	SIF910DDBASED-SS	1	SIF910DDBASED-SS	1
2	Front Left Post	SIF910CP	1	SIF910CP	1	SIF910CP-SS	1	SIF910CP-SS	1
3	Front Right Post	SIF910CP	1	SIF910CP	1	SIF910CP-SS	1	SIF910CP-SS	1
4	Back Right Post	SIF910CPR	1	SIF910CPR	1	SIF910CPR-SS	1	SIF910CPR-SS	1
5	Back left Post	SIF910CPOR	1	SIF910CPOR	1	SIF910CPOR-SS	1	SIF910CPOR-SS	1
6	Top	SIF910DDBASE	1	SIF910DDBASE	1	SIF910DDBASE-SS	1	SIF910DDBASE-SS	1
7	Front Inlet Panel	SIF910FIP	1	SIF910FIP	1	SIF910FIP-SS	1	SIF910FIP-SS	1
8	Venturi	F5020009-SIF9DD	1	F5020010-SIF10DD	1	F5020009-SIF9DD	1	F5020010-SIF10DD	1
9	Motor Plate Support	SIF910DDMTRPLTSUP	1	SIF910DDMTRPLTSUP	1	SIF910DDMTRPLTSUP-SS	1	SIF910DDMTRPLTSUP-SS	1
10	Motor Plate	SIF910DDMTRPLT	1	SIF910DDMTRPLT	1	SIF910DDMTRPLT-SS	1	SIF910DDMTRPLT-SS	1
11	Motor Cover Top	SIF910DDMTRCVR	1	SIF910DDMTRCVR	1	SIF910DDMTRCVR-SS	1	SIF910DDMTRCVR-SS	1
12	Motor Cover Base	N/A		N/A		SIF910DDMTRCVRB-SS	1	SIF910DDMTRCVRB-SS	1
13	Electrical J-box	8012A	2	8012A	2	58371-1/2	2	58371-1/2	2
14	Disconnect Cover	58-C-1	1	58-C-1	1	58-C-1	1	58-C-1	1
15	Wheel Assembly	F8011508	1	F8011516	1	F8011508	1	F8011516	1
16	Access Door	SIF910ADR	2	SIF910ADR	2	SIF910ADR-SS	2	SIF910ADR-SS	2
17	Transformer Cover	SIF910DDMTRCVRTRANS	1	SIF910DDMTRCVRTRANS	1	N/A		N/A	
18	Drain Pipe	N/A		N/A		1" X 1.50"L Nipple	1	1" X 1.50"L Nipple	1
19	Mounting Brackets	SIF910CRNRS	4	SIF910CRNRS	4	SIF910CRNRS	4	SIF910CRNRS	4

# Direct Drive Square Inline Fan 9-10



SIF9-10DD



SIF9-10DD-SS

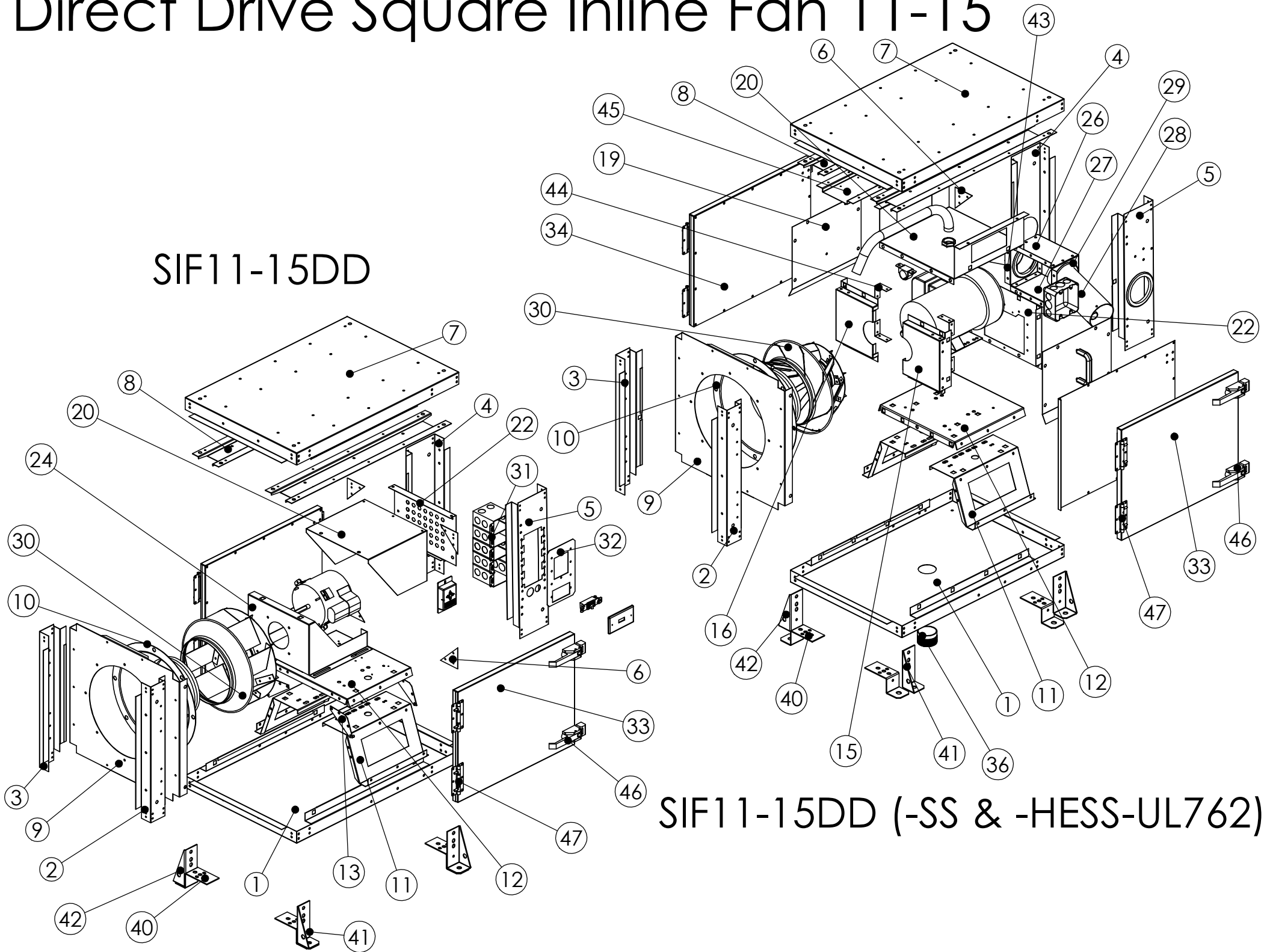
# Direct Drive Square Inline Fan 11-15

Direct Drive Square Inline Fan - Part Information													
Item #	Description of Parts	11DD (-SS)	#	13DD (-SS)	#	15DD (-SS)	#	11DD (-SS & -HESS-UL762)	#	13DD (-SS & -HESS-UL762)	#	15DD (-SS & -HESS-UL762)	#
1	Base	SIF11BASEDD	1	SIF13BASEDD	1	SIF15BASEDD	1	SIF11BASEDD-SS	1	SIF13BASEDD-SS	1	SIF15BASEDD-SS	1
2	Front Left Post	SIF11CPO	1	SIF13CPO	1	SIF15CPO	1	SIF11CPO-SS	1	SIF13CPO-SS	1	SIF15CPO-SS	1
3	Front Right Post	SIF11ICP	1	SIF13ICP	1	SIF15ICP	1	SIF11ICP-SS	1	SIF13ICP-SS	1	SIF15ICP-SS	1
4	Back Right Post	SIF11ICPR	1	SIF13ICPR	1	SIF15ICPR	1	SIF11ICPR-SS	1	SIF13ICPR-SS	1	SIF15ICPR-SS	1
5	Back left Post	SIF11PCPOR	1	SIF13PCPOR	1	SIF15PCPOR	1	SIF11PCPOR-SS	1	SIF13PCPOR-SS	1	SIF15PCPOR-SS	1
6	Rear Corner Gusset	SIF11RCGUS	4	SIF13RCGUS	4	SIF15RCGUS	4	SIF11RCGUS-SS	4	SIF13RCGUS-SS	4	SIF15RCGUS-SS	4
7	Top	SIF11DDTOP	1	SIF13DDTOP	1	SIF15DDTOP	1	SIF11DDTOP-SS	1	SIF13DDTOP-SS	1	SIF15DDTOP-SS	1
8	Hat Channel R	SIF11DDHTCHNLR	2	SIF13DDHTCHNLR	2	SIF15DDHTCHNLR	2	SIF11DDHTCHNLR-SS	2	SIF13DDHTCHNLR-SS	2	SIF15DDHTCHNLR-SS	2
9	Front Inlet Panel	SIF11FRP	1	SIF13FRP	1	SIF15FRP	1	SIF11FRP-SS	1	SIF13FRP-SS	1	SIF15FRP-SS	1
10	Venturi	F5020011MUSBI	1	F5020013MUSBI	1	F5020015MUSBI	1	F5020011MUSBI	1	F5020013MUSBI	1	F5020015MUSBI	1
11	Motor Plate Leg	SIF11DDMTRPLTLEG	2	SIF13DDMTRPLTLEG	2	SIF15DDMTRPLTLEG	2	SIF11DDMTRPLTLEG-SS	2	SIF13DDMTRPLTLEG-SS	2	SIF15DDMTRPLTLEG-SS	2
12	Motor Plate Base	SIF11DDMTRPLTBASE	1	SIF13DDMTRPLTBASE	1	SIF15DDMTRPLTBASE	1	SIF11DDMTRPLTBASE-SS	1	SIF13DDMTRPLTBASE-SS	1	SIF15DDMTRPLTBASE-SS	1
13	Motor Plate Gusset	SIF1135DDMTRPLTGUS	4	SIF1135DDMTRPLTGUS	4	SIF1135DDMTRPLTGUS	4	N/A		N/A		N/A	
15	Motor Cover Front Left	N/A		N/A		N/A		SIF1135DDMTRCVRFL-SS	1	SIF1135DDMTRCVRFL-SS	1	SIF1135DDMTRCVRFL-SS	1
16	Motor Cover Front Right	N/A		N/A		N/A		SIF1135DDMTRCVRFR-SS	1	SIF1135DDMTRCVRFR-SS	1	SIF1135DDMTRCVRFR-SS	1
17	Motor Cover Front (FM)	N/A		N/A		N/A		SIF1135DDMTRCVRFFM-SS*	1	SIF1135DDMTRCVRFFM-SS*	1	SIF1135DDMTRCVRFFM-SS*	1
19	Motor Cover Door	N/A		N/A		N/A		SIF113DDMTRCVRD-SS	2	SIF113DDMTRCVRD-SS	2	SIF113DDMTRCVRD-SS	2
20	Motor Cover Top	SIF1135DDMTRCVRT	1	SIF1135DDMTRCVRT	1	SIF1135DDMTRCVRT	1	SIF1135DDMTRCVRT-SS	1	SIF1135DDMTRCVRT-SS	1	SIF1135DDMTRCVRT-SS	1
21	Motor Cover Top (FM)	SIF1135DDMTRCVRT-FM*	1	SIF1135DDMTRCVRT-FM*	1	SIF1135DDMTRCVRT-FM*	1	SIF1135DDMTRCVRT-FM-SS*	1	SIF1135DDMTRCVRT-FM-SS*	1	SIF1135DDMTRCVRT-FM-SS*	1
22	Motor Cover Back	SIF1135DDMTRCVRS	1	SIF1135DDMTRCVRS	1	SIF1135DDMTRCVRS	1	SIF1135DDMTRCVRS-SS	1	SIF1135DDMTRCVRS-SS	1	SIF1135DDMTRCVRS-SS	1
23	Motor Cover Back (FM)	SIF1135DDMTRCVRS-FM*	1	SIF1135DDMTRCVRS-FM*	1	SIF1135DDMTRCVRS-FM*	1	SIF1135DDMTRCVRS-FM-SS*	1	SIF1135DDMTRCVRS-FM-SS*	1	SIF1135DDMTRCVRS-FM-SS*	1
24	Motor Cover Base	SIF1135DDMTRCVRBASE	1	SIF1135DDMTRCVRBASE	1	SIF1135DDMTRCVRBASE	1	N/A		N/A		N/A	
25	Motor Cover Base (FM)	SIF1135DDMTRCVRBASE-FM*	1	SIF1135DDMTRCVRBASE-FM*	1	SIF1135DDMTRCVRBASE-FM*	1	N/A		N/A		N/A	
26	Cooling Tube Top	N/A		N/A		N/A		SIF1120CTT-SS	1	SIF1120CTT-SS	1	SIF1120CTT-SS	1
27	Cooling Tube Bottom	N/A		N/A		N/A		SIF1120CTB-SS	1	SIF1120CTB-SS	1	SIF1120CTB-SS	1
28	Cooling Tube	N/A		N/A		N/A		F2140030	2	F2140030	2	F2140036	2
29	Cooling Tube Grammet	N/A		N/A		N/A		F2100001	4	F2100001	4	F2100001	4
30a	Wheel Assembly	F8010011H-B/F8010010*	1	F8010013H-B/F8010014*	1	F8010015H-B/F8010017*	1	F8010011H-B/F8010010*	1	F8010013H-B/F8010014*	1	F8010015H-B/F8010017*	1
30b	Wheel Assembly (Mixed Flow)	F8010011H-B(-S) & Motor Bushing	1	F8010013H-B(-S) & Motor Bushing	1	F8010015H-B(-S) & Motor Bushing	1	F8010011H-B-MF & Motor Bushing	1	F8010013H-B-MF & Motor Bushing	1	F8010015H-B-MF & Motor Bushing	1
31	Electrical J-box	8012A	5	8012A	5	8012A	5	2G4D-1/2-3/4	1	2G4D-1/2-3/4	1	2G4D-1/2-3/4	1
32	Disconnect Cover	SIF11RTRD/ SIF11RTRD*	1	SIF13RTRD/ SIF13RTRD*	1	SIF15RTRD/ SIF15RTRD*	1	SIF1135DDDBCVR1(3)-SS	1	SIF1135DDDBCVR1(3)-SS	1	SIF1135DDDBCVR1(3)-SS	1
33	Access Door	SIF11ADR	2	SIF13ADR	2	SIF15ADR	2	SIF11ADR-SS	2	SIF13ADR-SS	2	SIF15ADR-SS	2
34	Access Door Liner	N/A		N/A		N/A		SIF11ADR-LNR-SS	2	SIF13ADR-LNR-SS	2	SIF15ADR-LNR-SS	2
35	Access Door Handle	N/A		N/A		N/A		P-50-1010	2	P-50-1010	2	P-50-1010	2
36	Drain Pipe	N/A		N/A		N/A		2" X 1.75" L Nipple	1	2" X 1.75" L Nipple	1	2" X 1.75" L Nipple	1
37	Junction Box (FM)	58371-1/2*	1	58371-1/2*	1	58371-1/2*	1	N/A		N/A		N/A	
38	Junction Box Cover (FM)	58-C-1*	1	58-C-1*	1	58-C-1*	1	N/A		N/A		N/A	
39	Door Liner Hole Caps	N/A		N/A		N/A		9563K84	8	9563K84	8	9563K84	8
40	Corner Bracket Support	SIFCRNRS	4	SIFCRNRS	4	SIFCRNRS	4	SIFCRNRS	4	SIFCRNRS	4	SIFCRNRS	4
41	Corner Bracket Top	SIFCRNRT	2	SIFCRNRT	2	SIFCRNRT	2	SIFCRNRT	2	SIFCRNRT	2	SIFCRNRT	2
42	Corner Bracket Top Opposite	SIFCRNRTO	2	SIFCRNRTO	2	SIFCRNRTO	2	SIFCRNRTO	2	SIFCRNRTO	2	SIFCRNRTO	2
43	Cooling Tube Side	N/A		N/A		N/A		SIF1136CTS-SS	2	SIF1136CTS-SS	2	SIF1136CTS-SS	2
44	Motor Compartment Front Corner	N/A		N/A		N/A		SIF1135MTRCVRFC-SS/SIF1135MTRCVRFCFM-SS*	4	SIF1135MTRCVRFC-SS/SIF1135MTRCVRFCFM-SS*	4	SIF1135MTRCVRFC-SS/SIF1135MTRCVRFCFM-SS*	4
45	UL762 Hat Channel	N/A		N/A		N/A		SIF1118HTCHNLS-SS	1	SIF1118HTCHNLS-SS	1	SIF1118HTCHNLS-SS	1
46	Black Handle Latch and Clasp	A7-10-351-20	4	A7-10-351-20	4	A7-10-351-20	4	A7-10-351-20	4	A7-10-351-20	4	A7-10-351-20	4
47	SS Removable Door Hinge	HG-OTA100	4	HG-OTA100	4	HG-OTA100	4	HG-OTA100	4	HG-OTA100	4	HG-OTA100	4

\*Note: Parts with \* used on fans with face mounted motors.

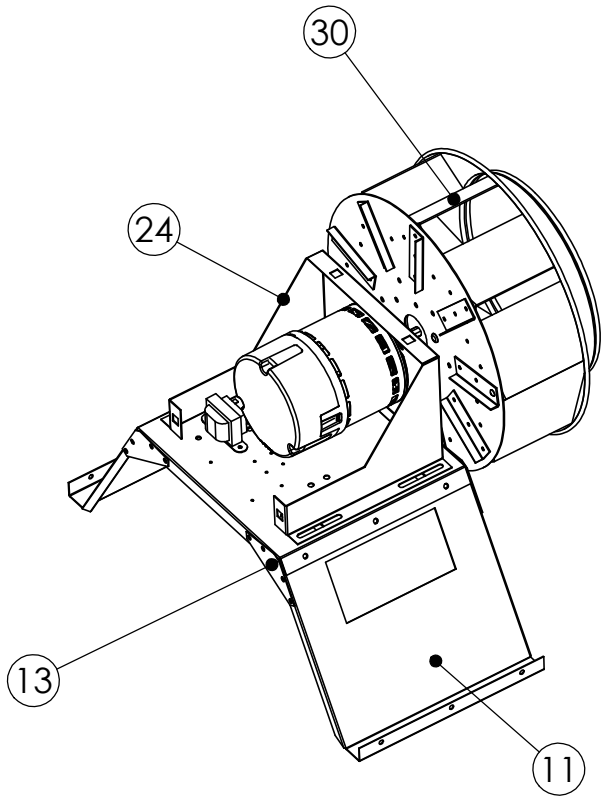
# Direct Drive Square Inline Fan 11-15

SIF11-15DD

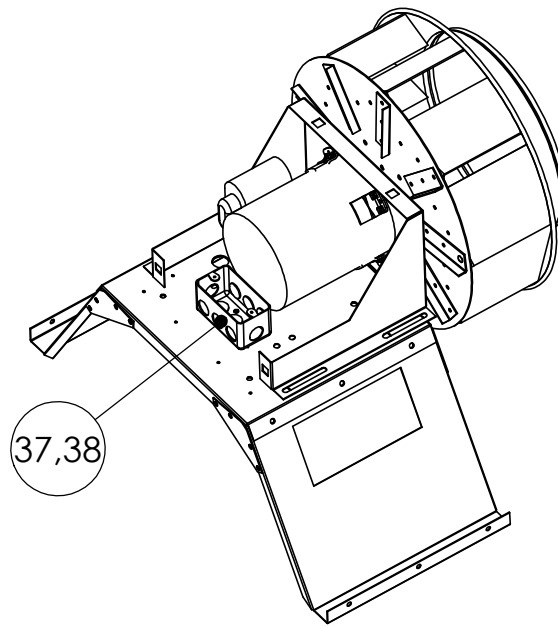


SIF11-15DD (-SS & -HESS-UL762)

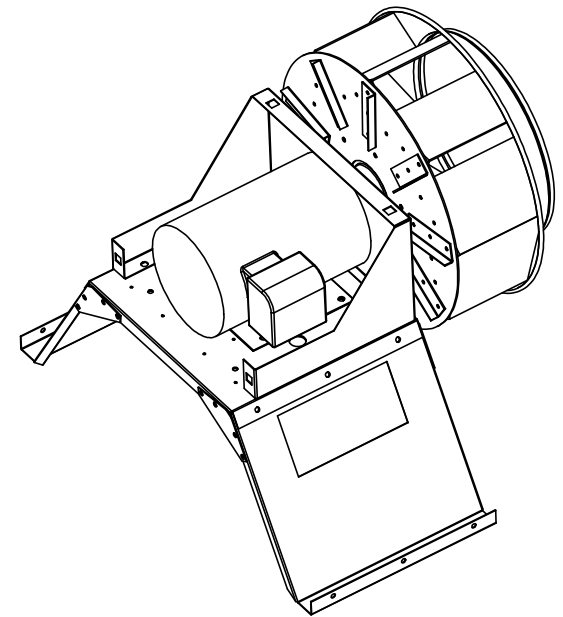
# SIF 11,13,15 Direct Drive Fan Motor Options



Face Mounted  
ECM Option

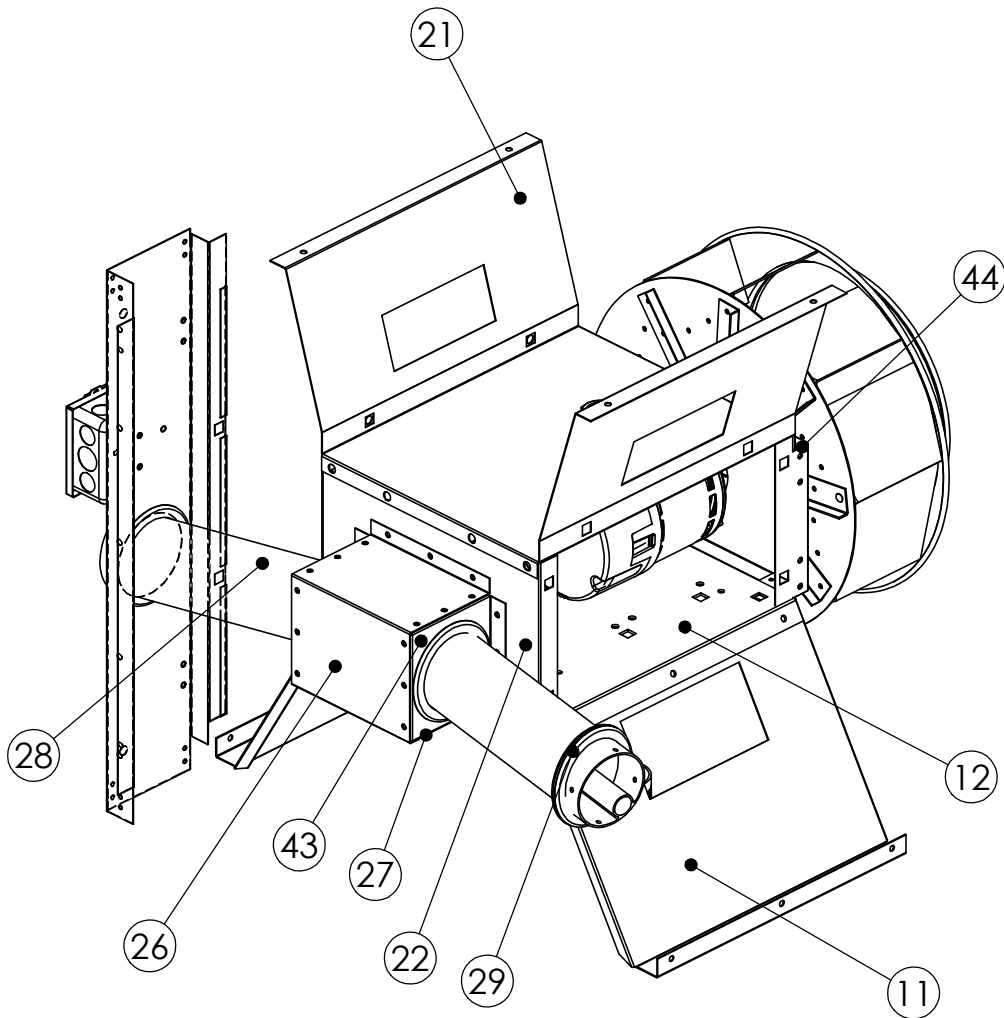


Face Mounted  
Motor

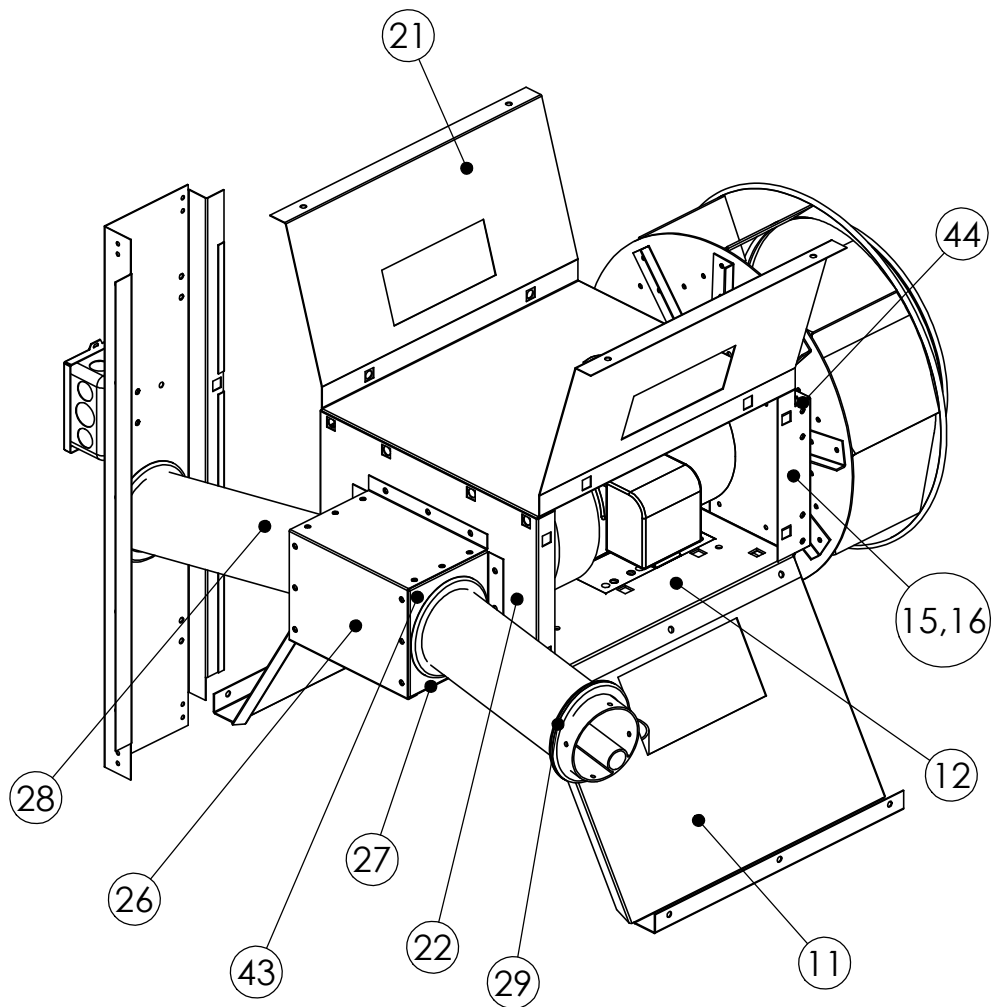


Base Mounted  
Motor

# SIF 11,13,15 Direct Drive Fan Motor Options



Face Mounted ECM  
Option(-SS Only)



Base Mounted Motor  
(-SS or -HESS-UL762)

# Direct Drive Square Inline Fan 18-36

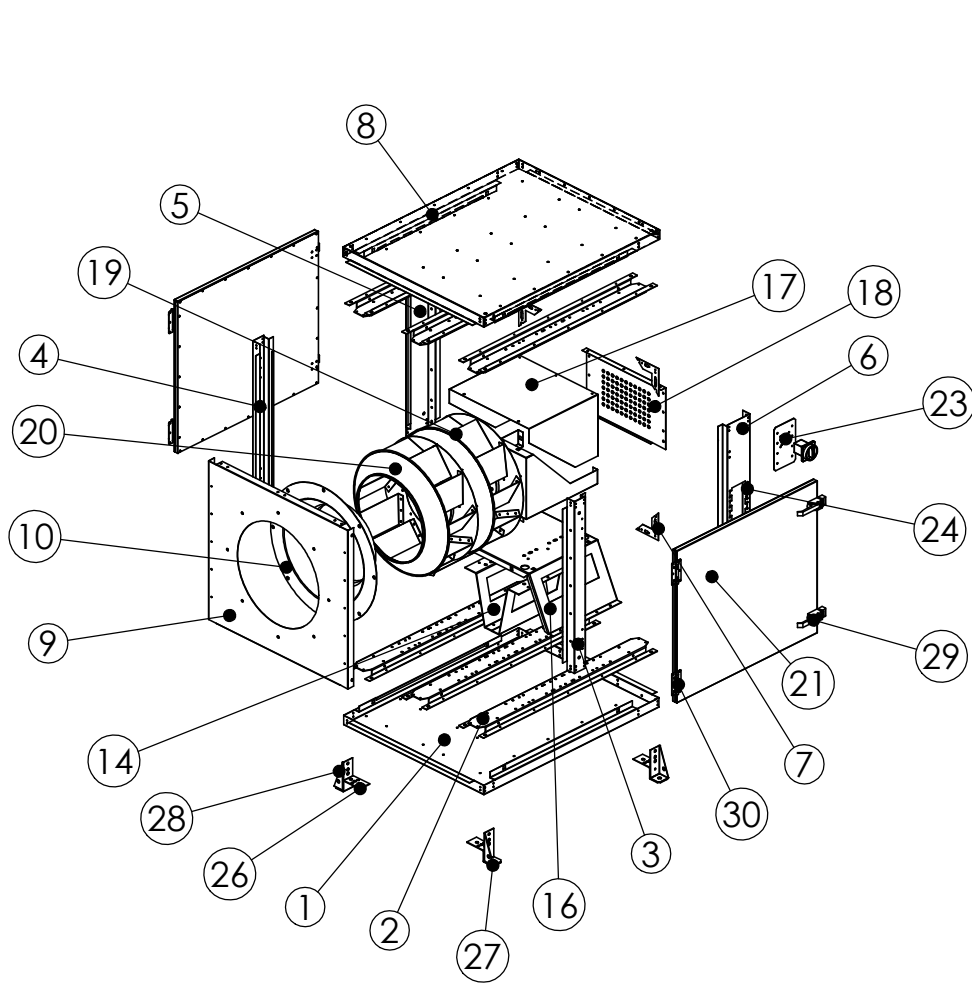
Direct Drive Square Inline Fan - Part Information

Item #	Description of Parts	18DD	#	20DD	#	24DD	#	30DD	#	36DD	#
1	Base	SIF18BASE	1	SIF20BASE	1	SIF24BASE	1	SIF30BASE	1	SIF36BASE	1
2	Hat Channel A	SIF18HTCHNLA	5	SIF20HTCHNLA	6	SIF24HTCHNLA	6	SIF30HTCHNLA	6	SIF36HTCHNLA	6
3	Front Left Post	SIF18CPO	1	SIF20CPO	1	SIF24CPO	1	SIF30CPO	1	SIF36CPO	1
4	Front Right Post	SIF18CP	1	SIF20CP	1	SIF24CP	1	SIF30CP	1	SIF36CP	1
5	Back Right Post	SIF18CPR	1	SIF20CPR	1	SIF24CPR	1	SIF30CPR	1	SIF36CPR	1
6	Back Left Post	SIF18CPOR	1	SIF20CPOR	1	SIF24CPOR	1	SIF30CPOR	1	SIF36CPOR	1
7	Rear Corner Gusset	SIF30RCGUS	4	SIF30RCGUS	4	SIF30RCGUS	4	SIF30RCGUS	4	SIF36RCGUS	4
8	Top	SIF18DDTOP	1	SIF20DDTOP	1	SIF24DDTOP	1	SIF30DDTOP	1	SIF36DDTOP	1
9	Front Inlet Panel	SIF18FIP	1	SIF20FIP	1	SIF24FIP	1	SIF30FIP	1	SIF36FIP	1
10	Venturi	F5020018MUSBI	1	F5020020MUSBI	1	F5020024MUSBI	1	F5020030MUSBI	1	F5020036MUSBI	1
11	Motor Plate Inner Support B							SIF30DDMTRPLTISB	1	SIF36DDMTRPLTISB	1
12	Motor Plate Inner Support A							SIF30DDMTRPLTISA	1	SIF36DDMTRPLTISA	1
13	Motor Plate Support							SIF30DDMTRPLTSUP	1	SIF36DDMTRPLTSUP	1
14	Motor Plate Stiffener	SIF18DDMTRPLTSTF	2	SIF20DDMTRPLTSTF	2	SIF24DDMTRPLTSTF	2	SIF30DDMTRPLTSTF	1	SIF36DDMTRPLTSTF	1
16	Motor Plate	SIF18DDMTRPLT	1	SIF20DDMTRPLT	1	SIF24DDMTRPLT	1	SIF30DDMTRPLT	1	SIF36DDMTRPLT	1
17	Motor Cover Top	SIF18DDMTRCVRT	1	SIF20DDMTRCVRT	1	SIF24DDMTRCVRT	1	SIF30DDMTRCVRT	1	SIF36DDMTRCVRT	1
18	Motor Cover Side	SIF18DDMTRCVRS	1	SIF20DDMTRCVRS	1	SIF24DDMTRCVRS	1	SIF30DDMTRCVRS	1	SIF36DDMTRCVRS	1
19	Motor Cover Base	SIF18DDMTRCVR	1	SIF20DDMTRCVR	1	SIF24DDMTRCVR	1	SIF30DDMTRCVR	1	SIF36DDMTRCVR	1
20a	Wheel Assembly	F8010018P1-B	1	F8010020P1-B	1	*F8010024P1-B	1	F8010030Q1-T	1	F8010036Q1-T	1
20b	Wheel Assembly (Mixed Flow)	F8010018P1-B-MF	1	F8010020P1-B-MF	1	F8010024P1-T-MF	1	F8010030Q1-T-MF	1	F8010036Q1-T-MF	1
21	Access Door	SIF18ADR	2	SIF20ADR	2	SIF24ADR	2	SIF30ADR	2	SIF36ADR	2
22	Door Handle	P-50-1010	4	P-50-1010	4	P-50-1010	4	P-50-1010	4	P-50-1010	4
23	Rotary Disconnect Plate	SIFRTRD	1	SIFRTRD	1	SIF36RTRD	1	SIF36RTRD	1	SIF36RTRD	1
24	Disconnect Box	8012A	5	8012A	5	SIF36RTRB	2	SIF36RTRB	2	SIF36RTRB	2
25	Top Door Flange									SIF36TOPDRFLG	2
26	Mounting Bracket Support	SIFCRNRS	4	SIFCRNRS	4	SIFCRNRS	4	SIFCRNRS	4	SIFCRNRS	4
27	Mounting Bracket Top	SIFCRNRT	2	SIFCRNRT	2	SIFCRNRT	2	SIFCRNRT	2	SIFCRNRT	2
28	Mounting Bracket Top Opposite	SIFCRNRTO	2	SIFCRNRTO	2	SIFCRNRTO	2	SIFCRNRTO	2	SIFCRNRTO	2
29	Black Handle Latch and Clasp	A7-10-351-20	4	A7-10-351-20	4	A7-10-351-20	4	A7-10-351-20	4	A7-10-351-20	4
30	SS Removable Door Hinge	HG-OTA100	4	HG-OTA100	4	HG-OTA100	6	HG-OTA100	6	HG-OTA100	6

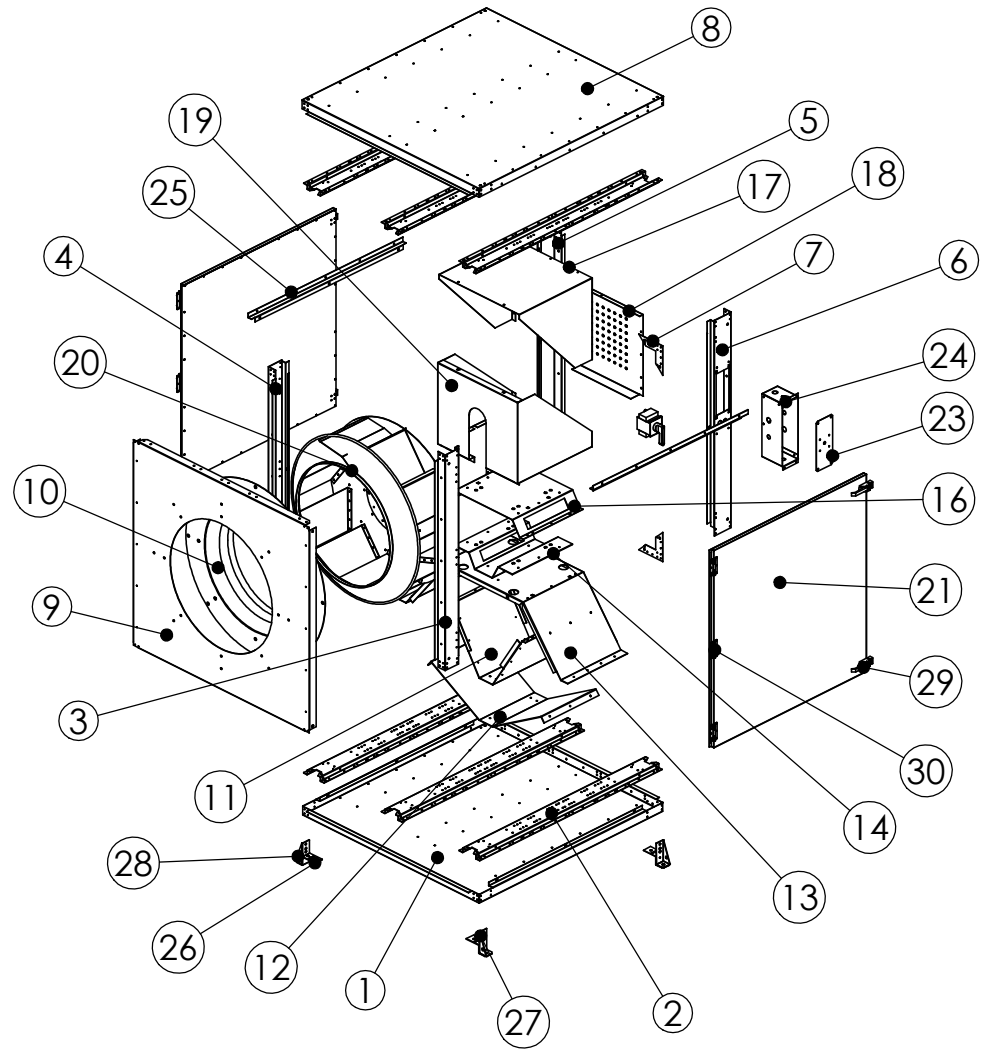
\*Motors in fan with a Shaft Diameter of 1-3/8in will use wheel part number: F8010024P1-T



# Direct Drive Square Inline Fan 18-36



SIF18-24DD



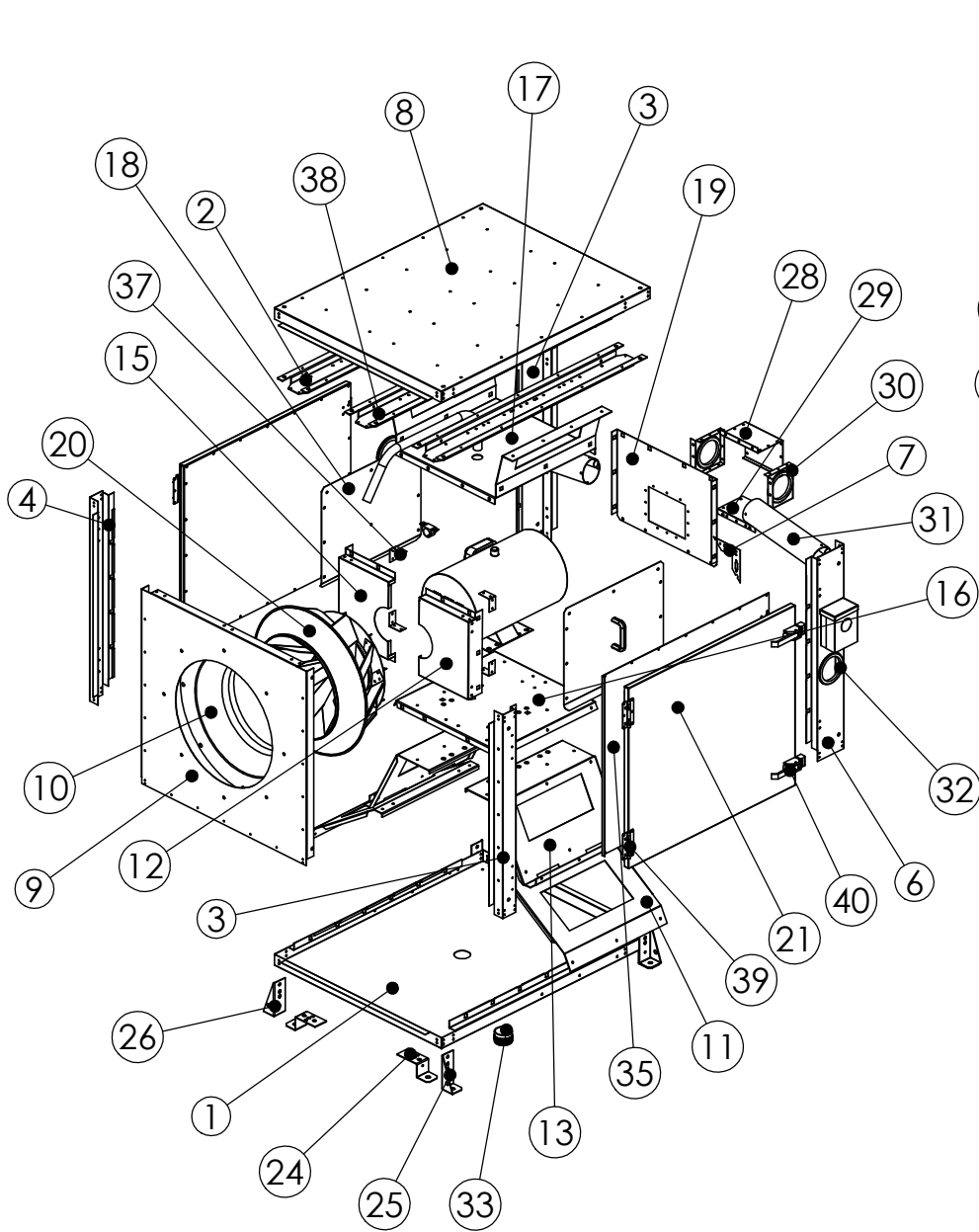
SIF30-36DD

# Direct Drive Square Inline Fan 18-36 (HESS-UL762)

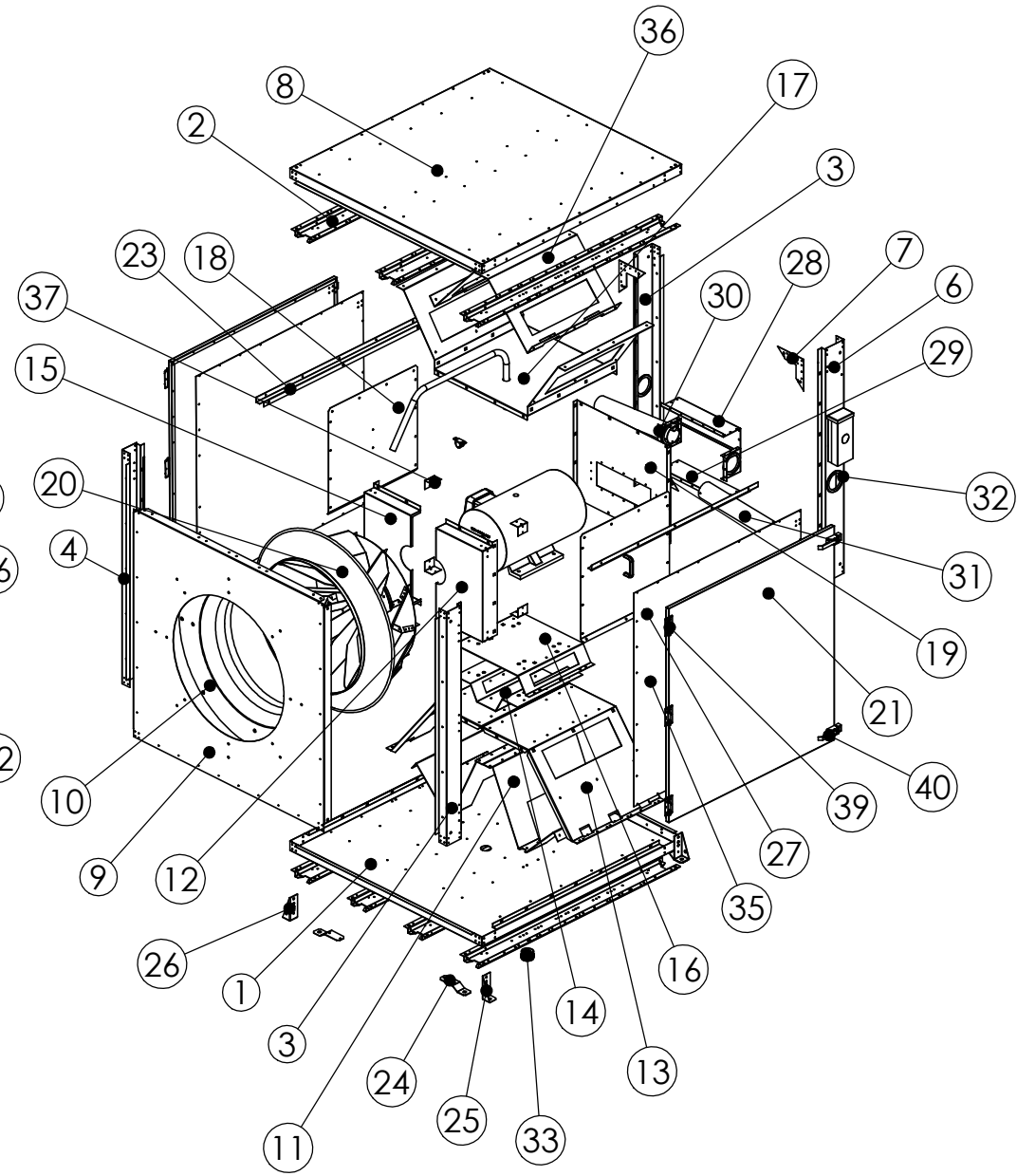
Direct Drive Square Inline Fan - Part Information											
Item #	Description of Parts	18DD-HESS-UL762	#	20DD-HESS-UL762	#	24DD-HESS-UL762	#	30DD-HESS-UL762	#	36DD-HESS-UL762	#
1	Base	SIF18BASE-SS	1	SIF20BASE-SS	1	SIF24BASE-SS	1	SIF30BASE-SS	1	SIF36BASE-SS	1
2	Hat Channel A	SIF18HTCHNLA	2	SIF20HTCHNLA	3	SIF24HTCHNLA	7	SIF30HTCHNLA	7	SIF36HTCHNLA	7
3	Front Left Post	SIF18CPO-SS	1	SIF20CPO-SS	1	SIF24CPO-SS	1	SIF30CPO-SS	1	SIF36CPO-SS	1
4	Front Right Post	SIF18CP-SS	1	SIF20CP-SS	1	SIF24CP-SS	1	SIF30CP-SS	1	SIF36CP-SS	1
5	Back Right Post	SIF18CPR-SS	1	SIF20CPR-SS	1	SIF24CPR-SS	1	SIF30CPR-SS	1	SIF36CPR-SS	1
6	Back Left Post	SIF18CPOR-SS	1	SIF20CPOR-SS	1	SIF24CPOR-SS	1	SIF30CPOR-SS	1	SIF36CPOR-SS	1
7	Rear Corner Gusset	SIF30RCGUS-SS	4	SIF30RCGUS-SS	4	SIF30RCGUS-SS	4	SIF30RCGUS-SS	4	SIF36RCGUS-SS	4
8	Top	SIF18DDTOP-SS	1	SIF20DDTOP-SS	1	SIF24DDTOP-SS	1	SIF30DDTOP-SS	1	SIF36DDTOP-SS	1
9	Front Inlet Panel	SIF18FIP-SS	1	SIF20FIP-SS	1	SIF24FIPS	1	SIF30FIPS	1	SIF36FIPS	1
10	Venturi	F5020018MUSBI	1	F5020020MUSBI	1	F5020024MUSBI	1	F5020030MUSBI	1	F5020036MUSBI	1
11	Motor Plate Inner Support Bracket	SIF18DDMTRSUPISB-SS	2	SIF20DDMTRSUPISBS	2	SIF24DDMTRPLTISBS	2	SIF30DDMTRPLTISBS	2	SIF36DDMTRPLTISBS	2
12	Motor Cover Front Left	SIF18DDMTRCVRFL-SS	1	SIF20DDMTRCVRFL-SS	1	SIF24DDMTRCVRFL-SS	1	SIF30DDMTRCVRFL-SS	1	SIF36DDMTRCVRFL-SS	1
13	Motor Plate Legs	SIF18DDMTRPLTLEG-SS	2	SIF20DDMTRPLTLEGS	2	SIF24DDMTRPLTLEGS	2	SIF30DDMTRPLTLEGS	2	SIF36DDMTRPLTLEGS	2
14	Motor Plate Stiffener							SIF30DDMTRPLTSTF	1	SIF36DDMTRPLTSTF	1
15	Motor Cover Front Right	SIF18DDMTRCVRFR-SS	1	SIF20DDMTRCVRFR-SS	1	SIF24DDMTRCVRFR-SS	1	SIF30DDMTRCVRFR-SS	1	SIF36DDMTRCVRFR-SS	1
16	Motor Plate	SIF18DDMTRPLTBASES	1	SIF20DDMTRPLTBASES	1	SIF24DDMTRPLTBASES	1	SIF30DDMTRPLT	1	SIF36DDMTRPLT	1
17	Motor Cover Top	SIF18DDMTRCVRT-SS	1	SIF20DDMTRPLTSUPAS	1	SIF24DDMTRCVRTB	1	SIF30DDMTRCVRTB	1	SIF36DDMTRCVRTB	1
18	Motor Cover Door	SIF18DDMTRCVRD-SS	2	SIF20DDMTRCVRD-SS	2	SIF24DDMTRCVRD-SS	2	SIF30DDMTRCVRD-SS	2	SIF36DDMTRCVRD-SS	2
19	Motor Cover Back	SIF18DDMTRCVRB-SS	1	SIF20DDMTRCVRB-SS	1	SIF24DDMTRCVRB-SS	1	SIF30DDMTRCVRB-SS	1	SIF36DDMTRCVRB-SS	1
20a	Wheel Assembly	F8010018P1-B-S	1	F8010020P1-B-S	1	*F8010024P1-B-S	1	F8010030Q1-T-S	1	F8010036Q1-T-S	1
20b	Wheel Assembly (MF)	F8010018P1-B-MF	1	F8010020P1-B-MF	1	F8010024P1-T-MF	1	F8010030Q1-T-MF	1	F8010036Q1-T-MF	1
21	Access Door	SIF18ADR-SS	2	SIF20ADR-SS	2	SIF24ADR-SS	2	SIF30ADR-SS	2	SIF36ADR-SS	2
22	Door Handle	P-50-1010	6	P-50-1010	6	P-50-1010	6	P-50-1010	6	P-50-1010	6
23	Top Door Flange									SIF36TOPDRFLG-SS	2
24	Mounting Bracket Support	SIFCRNRS	4	SIFCRNRS	4	SIFDDFTBKT	4	SIFDDFTBKT	4	SIFDDFTBKT	4
25	Mounting Bracket Top	SIFCRNRT	2	SIFCRNRT	2	SIFCRNRT	2	SIFCRNRT	2	SIFCRNRT	2
26	Mounting Bracket Top Opposite	SIFCRNRTO	2	SIFCRNRTO	2	SIFCRNRTO	2	SIFCRNRTO	2	SIFCRNRTO	2
27	Access Door Liner	SIF18ADRLNR-SS	2	SIF20ADRLNR-SS	2	SIF24ADRLNR-SS	2	SIF30ADRLNR-SS	2	SIF36ADRLNR-SS	2
28	Cooling Tube Top	SIF1120CTT-SS	1	SIF1120CTT-SS	1	SIF2436CTT-SS	1	SIF2436CTT-SS	1	SIF2436CTT-SS	1
29	Cooling Tube Bottom	SIF1120CTB-SS	1	SIF1120CTB-SS	1	SIF2436CTB-SS	1	SIF2436CTB-SS	1	SIF2436CTB-SS	1
30	Cooling Tube Side	SIF1136CTS-SS	2	SIF1136CTS-SS	2	SIF1136CTS-SS	2	SIF1136CTS-SS	2	SIF1136CTS-SS	2
31	Cooling Tube	F2140036	2	F214003036RPUD	2	F2140036	2	F214003036RPUD	2	F214004248RPUD	2
32	Cooling Tube Grommet	F2100001	4	F2100001	4	F2100001	4	F2100001	4	F2100001	4
33	Drain Pipe	2" x 1.75" L Nipple	1	2" x 1.75" L Nipple	1	2" x 1.75" L Nipple	1	2" x 1.75" L Nipple	1	2" x 1.75" L Nipple	1
34	Disconnect Extender							SIF3036DE	1	SIF3036DE	1
35	Door Liner Hole Caps	9563K84	8	9563K84	8	9563K84	8	9563K84	8	9563K84	8
36	Top Motor Support Middle					SIF24DDMTRCVRTS	1	SIF30DDMTRCVRTS	1	SIF36DDMTRCVRTS	1
37	Motor Compartment Front Corner	SIF18DDMTRCVRFC-SS	4	SIF20DDMTRCVRFC-SS	4	SIF24DDMTRCVRFC-SS	4	SIF30DDMTRCVRFC-SS	4	SIF36DDMTRCVRFC-SS	4
38	UL762 Hat Channel	SIF1118HTCHNLS-SS	1								
39	SS Removable Door Hinge	HG-OTA100	2	HG-OTA100	2	HG-OTA100	6	HG-OTA100	6	HG-OTA100	6
40	Black Handle Latch and Clasp	A7-10-351-20	4	A7-10-351-20	4	A7-10-351-20	4	A7-10-351-20	4	A7-10-351-20	4

**\*Motors in fan with a Shaft Diameter of 1-3/8in will use wheel part number: F8010024P1-T-S**

# Direct Drive Square Inline Fan 18-36 DD HESS-UL762



SIF18-20DD  
HESS-UL762

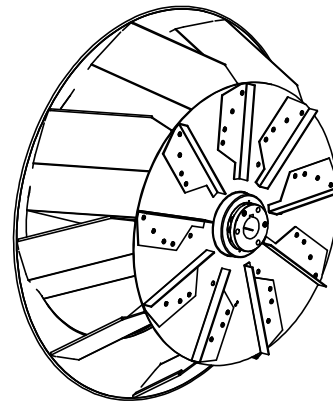
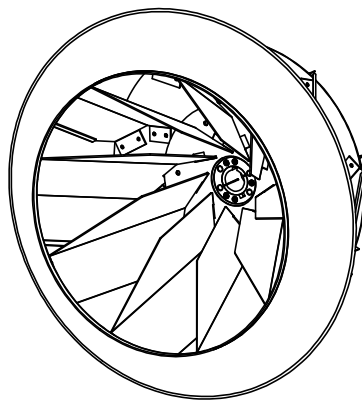


SIF24-36DD  
HESS-UL762



# SIFDD-HE Wheel Part Numbers

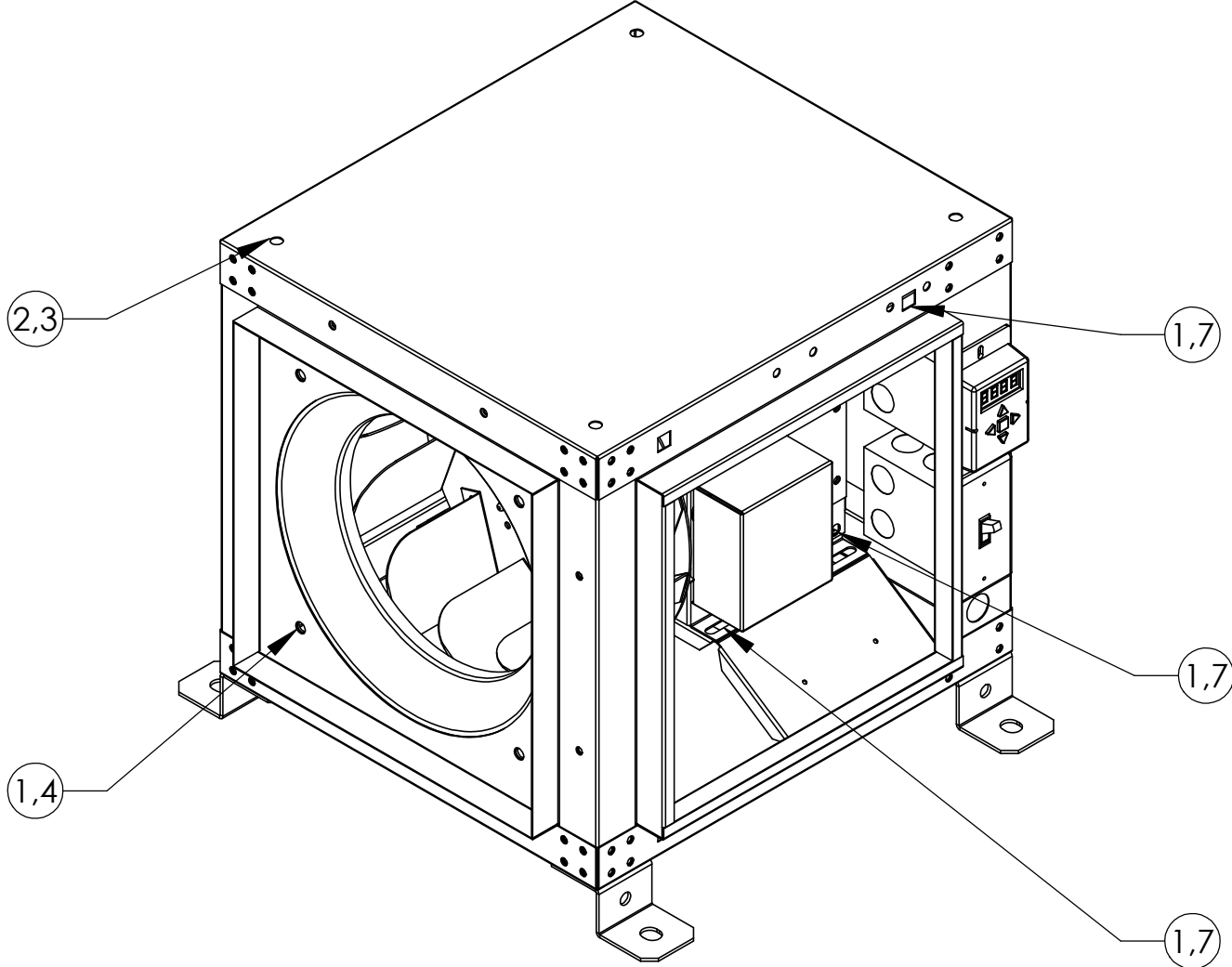
Mixed Flow Wheel Part Numbers (Bushing Hub)							
	Motor Shaft Diameter						
Size	0.5	0.625	0.875	1.125	1.375	1.625	1.875
11	F8010011H-B-MF						
13	F8010013H-B-MF						
15	F8010015H-B-MF						
18	F8010018P1-B-MF						
20	F8010020P1-B-MF						
24	F8010024P1-T-MF						
30						F8010030Q1-T-MF	
36						F8010036Q1-T-MF	
Mixed Flow Wheel Hubs (Bushing Hub)							
	Motor Shaft Diameter						
Size	0.5	0.625	0.875	1.125	1.375	1.625	1.875
11	F2240005H-B						
13	F2240006H-B						
15	F2240006H-B						
18	F2240010P1-B						
20	F2240010P1-B						
24	F2240010P1-T						
30						F2240015Q1-T	
36						F2240015Q1-T	



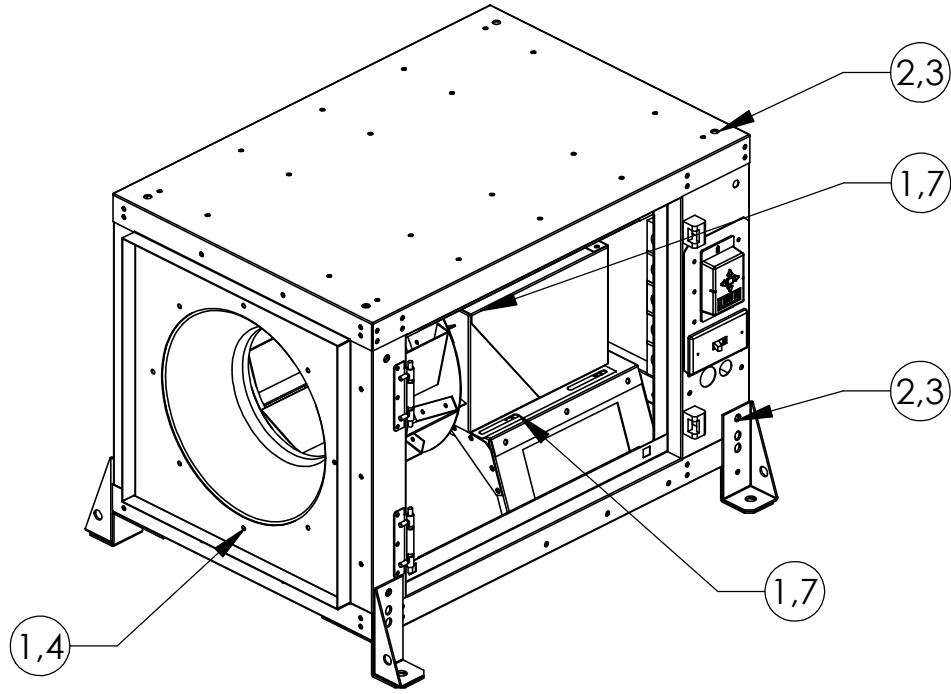
# Direct Drive Square Inline Fan Hardware

Direct Drive Square Inline Fan - Hardware Information											
Item #	Part Number	Description of Parts	9-10DD	11DD	13DD	15DD	18DD	20DD	24DD	30DD	36DD
1	0120763.0800	1/4"-20 x 1" Whiz Bolt	20	18	18	18	18	18	18	12	32
2	9800032	3/8"- 16 Whiz Nut	8	16	22	22	22	22	22	38	24
3	11104711	3/8"- 16 x 1" Grade 5 Bolt- Whiz Bolt	8	16	22	22	22	22	22	38	24
4	800034	1/4"- 20 Whiz Nut	4	12	8	8	8	8	8	0	0
5	800040	1/4"-20 x 1 1/2" Whiz Bolt	0	8	8	8	8	8	8	8	16
6	11626-03227	1/4"-20 Nut (12 Gauge)	0	6	4	4	4	4	4	4	4
7	11626-03224	1/4"-20 Gauge Nut (18-20 Gauge)	16	8	8	8	12	12	16	16	20

# Direct Drive Square Inline Fan 9-10

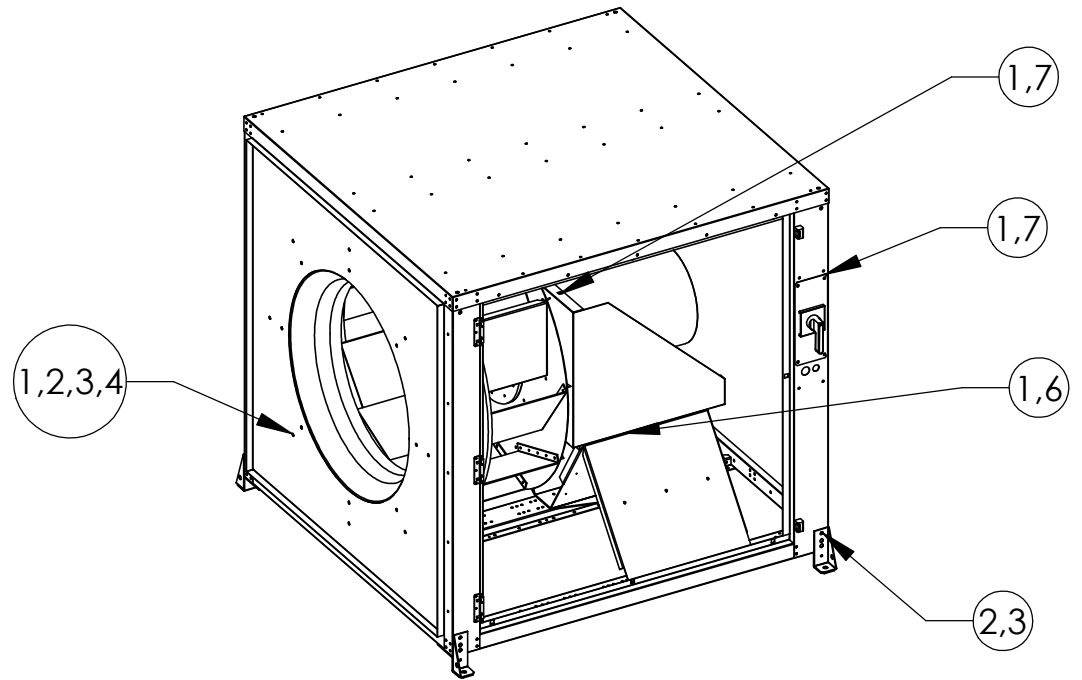


# Direct Drive Square Inline Fan Hardware



SIF11-15DD

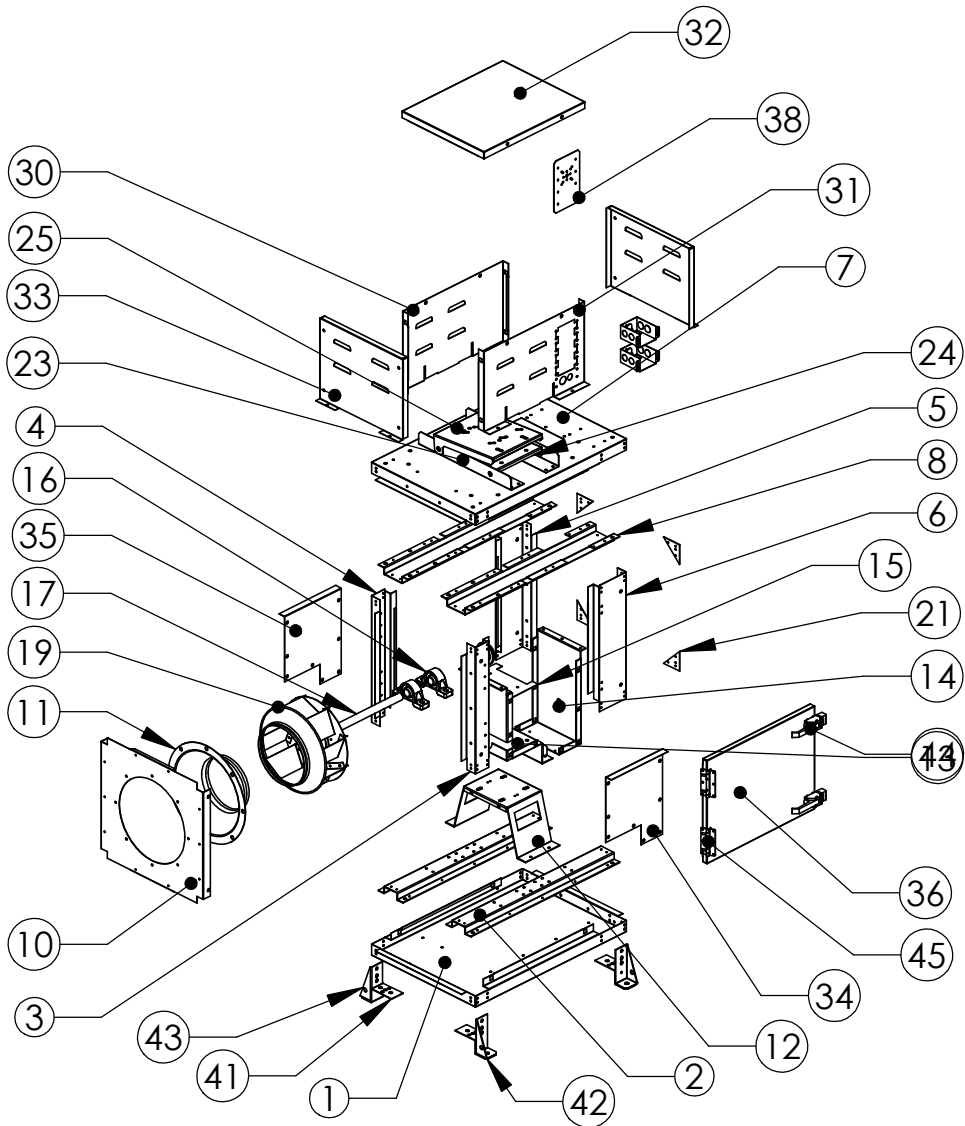
SIF18-36DD





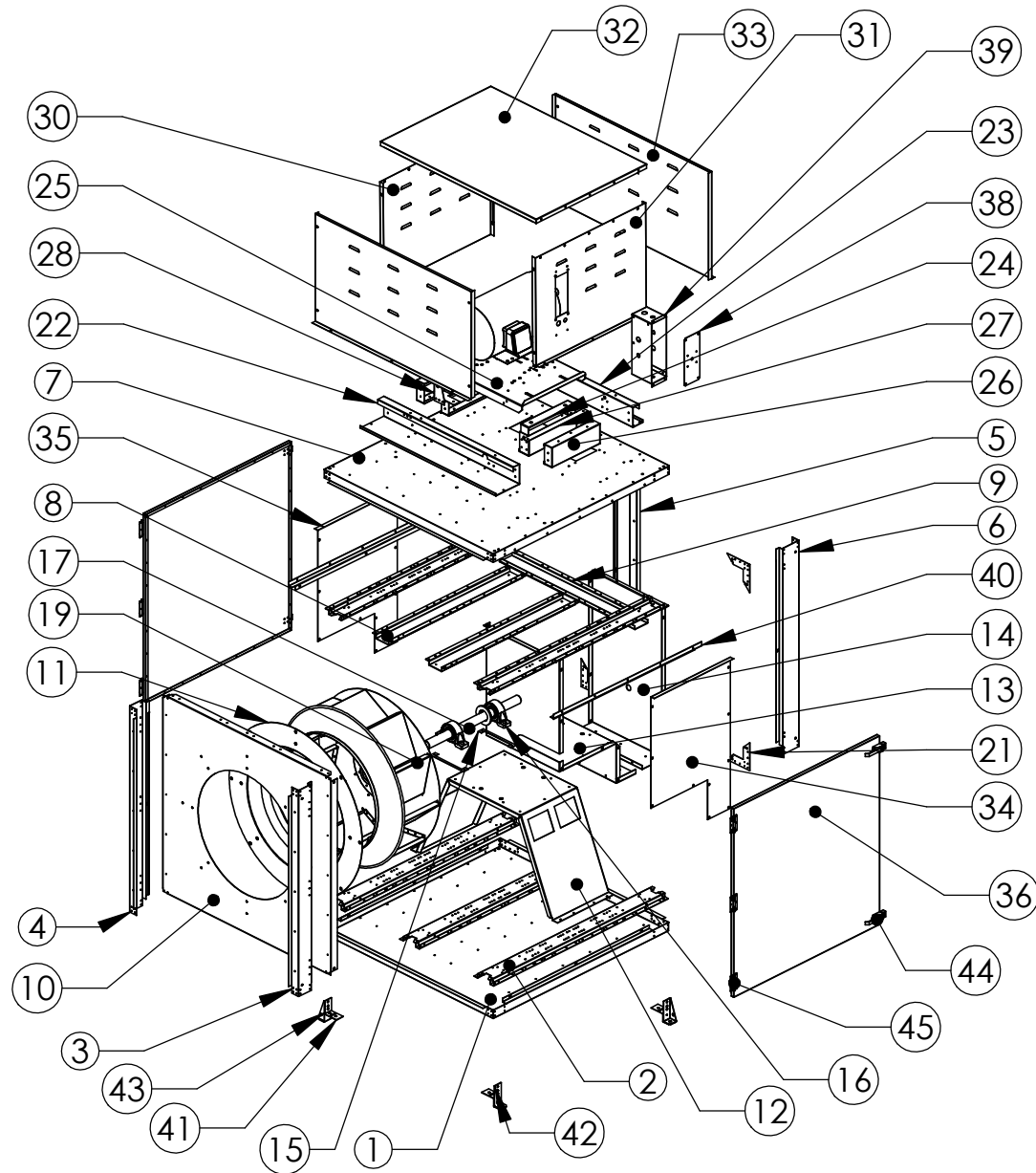


# Belt Drive Square Inline Fan



SIF11-15BD

SIF18-36BD

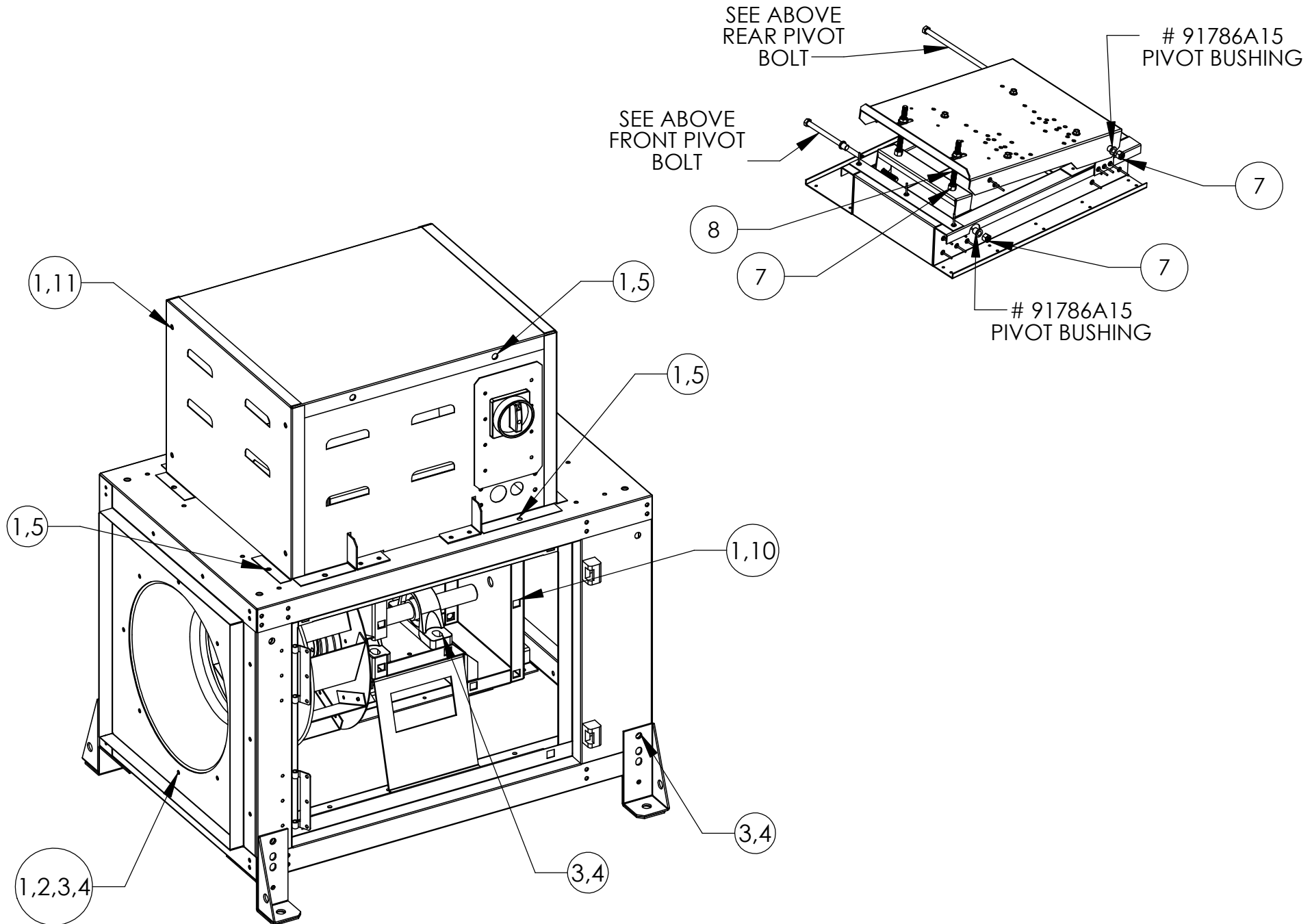


# Belt Drive Square Inline Fan Hardware

Belt Drive Square Inline Fan - Hardware Information										
Item #	Part Number	Description of Parts	11BD	13BD	15BD	18BD	20BD	24BD	30BD	36BD
1	0120763.080	1/4" - 20 x 1" Whiz Bolt	40	42	50	48	54	61	47	60
2	800034	1/4" - 20 Whiz Nut	8	8	8	8	8	8	0	0
3	9 800032	3/8" - 16 Whiz Nut	26	26	26	26	26	26	36	32
4	11104711	3/8" - 16 X 1" Grade 5 Bolt - Whiz Bolt	26	26	26	26	26	26	36	32
5	125617	1/-20 Rivsert	12	10	18	16	20	24	26	26
6	91786A15	Pivot Bushing	4	4	4	4	4	4	4	4
7	97135A250	1/2" Lock Nut	0	0	0	2	2	2	2	2
7	97135A230	3/8" Lock Nut	2	2	2	0	0	0	0	0
8	92620A733	1/2" - 13 x 8 Grade 8 Bolt	0	0	0	2	2	2	2	2
8	92620A642	3/8" - 16 x 5 Grade 8 Bolt	2	2	2	0	0	0	0	0
9	800040	1/4-20 x 1 1/2" Whiz Bolt	8	8	8	8	8	8	8	16
10	11626-03227	1/4-20 Gauge Nut (12 Gauge)	16	16	14	18	18	20	18	20
11	11626-03224	1/4-20 Gauge Nut (18-20 Gauge)	14	16	16	16	16	16	16	24

SIF PIVOT BOLT HARDWARE				
Unit Size	Front Pivot Bolt	Part Number	Rear Pivot Bolt	Part Number
11	1/2" - 13 X 10"	115121310Z	1/2" - 13 X 11"	115121311Z
13	1/2" - 13 X 10"	115121310Z	1/2" - 13 X 11"	115121311Z
15	1/2" - 13 X 10"	115121310Z	1/2" - 13 X 11"	115121311Z
18	1/2" - 13 X 8 1/2"	1151213812Z	1/2" - 13 X 12"	115121312Z
20	1/2" - 13 X 8 1/2"	1151213812Z	1/2" - 13 X 12"	115121312Z
24	1/2" - 13 X 14"	798A0021178	1/2" - 13 X 20"	798A0021181
30	1/2" - 13 X 14"	798A0021178	1/2" - 13 X 20"	798A0021181
36	1/2" - 13 X 16"	115121316Z	1/2" - 13 X 22"	115121322Z

# Belt Drive Square Inline Fan Hardware



# Square Inline Fan Options

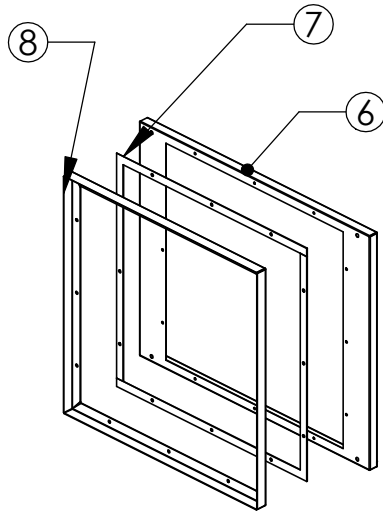
Square Inline Fan Options- Part Information

Item #	Description of Parts	9-10	#	11	#	13	#	15	#
1	Side Discharge Assembly	N/A		SIF11DS	1	SIF13DS	1	SIF15DS	1
2	Riser Adapter Assembly	SIF910DA-DW	1	SIF11DA-DW	1	SIF13DA-DW	1	SIF15DA-DW	1
3	Inlet/ Discharge Screen	SIF910IS/SIF910DS	1	SIF11IS/ SIF11DS	1	SIF13IS/ SIF13DS	1	SIF15IS/ SIF15DS	1
4	Discharge Ring Adapter	N/A		SIF11DA-OUTRING	1	SIF13DA-OUTRING	1	SIF15DA-OUTRING	1
5	Sq to Rd Discharge Duct Adapter	N/A		DW16TO12SQRDADP-SIF11	1	DW18TO14SQRDADP-SIF13	1	DW23TO16SQRDADP-SIF15	1
6	Side Discharge Door	N/A		SIF11SDD	1	SIF13SDD	1	SIF15SDD	1
7	Side Discharge Spacer	N/A		SIF11SDS	2	SIF13SDS	2	SIF15SDS	2
8	Side Discharge Flange	N/A		SIF11SDF	4	SIF13SDF	4	SIF15SDF	4
9	Discharge Block	N/A		SIF11DB	1	SIF13DB	1	SIF15DB	1
10	Discharge Adapter	SIF910DA	1	SIF11DA	1	SIF13DA	1	SIF15DA	1
11	Riser Assembly	DW10FRISER	1	BI11-DW12FRISER	1	BI13-DW14FRISER	1	BI15-DW16FRISER	1
12	Inlet/ Discharge Ring	N/A		BI11INRING	1	BI13INRING	1	BI15INRING	1
13	Adapter Bottom Mounting Bracket	N/A		SIF1136ADB	1	SIF136ADB	1	SIF1536ADB	1

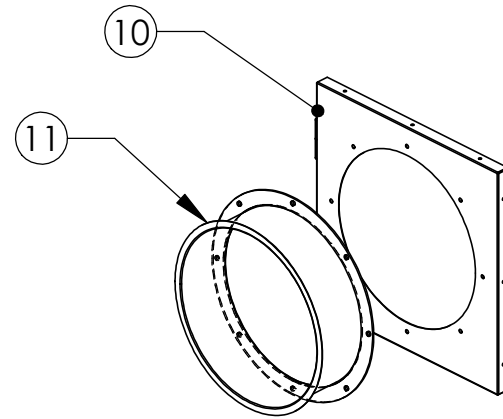
Square Inline Fan Options- Part Information

Item #	Description of Parts	18	#	20	#	24	#	30	#	36	#
1	Side Discharge Assembly	SIF18DS	1	SIF20DS	1	SIF24DS	1	SIF30DS	1	SIF36DS	1
2	Riser Adapter Assembly	SIF18DA-DW	1	SIF20DA-DW	1	SIF24DA-DW	1	SIF30DA-DW	1	SIF36DA-DW	1
3	Inlet/ Discharge Screen	SIF18IS/ SIF18DS	1	SIF20IS/ SIF20DS	1	SIF24IS/ SIF24DS	1	SIF30IS/ SIF30DS	1	SIF36IS/ SIF36DS	1
4	Discharge Ring Adapter	SIF18DA-OUTRING	1	SIF20DA-OUTRING	1	SIF24DA-OUTRING	1	SIF30DA-OUTRING	1	SIF36DA-OUTRING	1
5	Sq to Rd Discharge Duct Adapter	DW24TO20SQRDADP-SIF18	1	DW28TO20SQRDADP-SIF20	1	DW35TO24SQRDADP-SIF24	1	DW42TO24SQRDADP-SIF30	1	DW48TO30SQRDADP-SIF36	1
6	Side Discharge Door	SIF18SDD	1	SIF20SDD	1	SIF24SDD	1	SIF30SDD	1	SIF36SDD	1
7	Side Discharge Spacer	SIF18SDS	2	SIF20SDS	2	SIF24SDS	4	SIF30SDS	4	SIF36SDS	4
8	Side Discharge Flange	SIF18SDF	4	SIF20SDF	4	SIF24SDF	4	SIF30SDF	4	SIF36SDF	4
9	Discharge Block	SIF18DB	1	SIF20DB	1	SIF24DB	1	SIF30DB	1	SIF36DB	1
10	Discharge Adapter	SIF18DA	1	SIF20DA	1	SIF24DA	1	SIF30DA	1	SIF36DA	1
11	Riser Assembly	BI18-DW20FRISER	1	BI20-DW20FRISER	1	BI24-DW24FRISER	1	BI30-24FRISER	1	BI36-DW30FRISER	1
12	Inlet/ Discharge Ring	BI18INRING	1	BI20INRING	1	BI24INRING	1	BI30INRING	1	BI36INRING	1
13	Adapter Bottom Mounting Bracket	SIF1136ADB	1	SIF1136ADB	1	SIF1136ADB	2	SIF1136ADB	2	SIF1136ADB	3

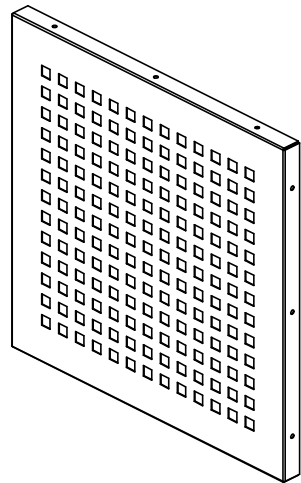
# Square Inline Fan Option Hardware



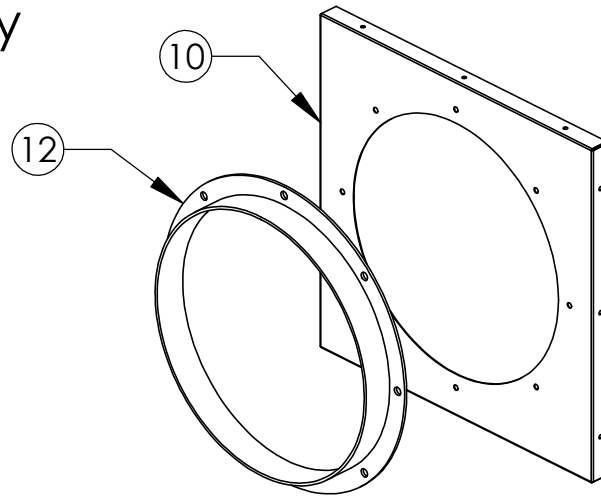
1. Side Discharge Assembly



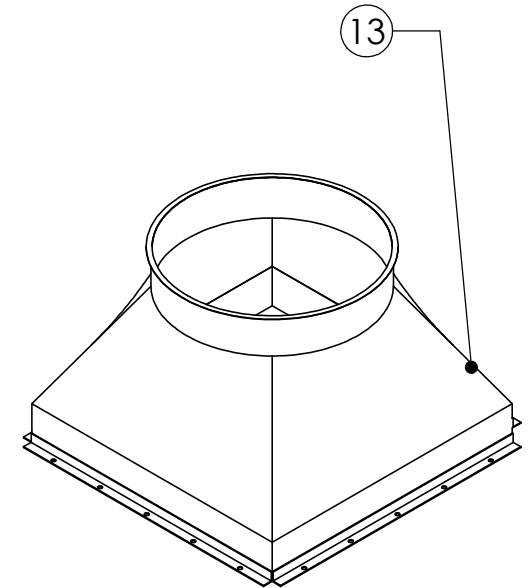
2. Riser Adapter Assembly



3. Inlet/ Discharge Screen Assembly



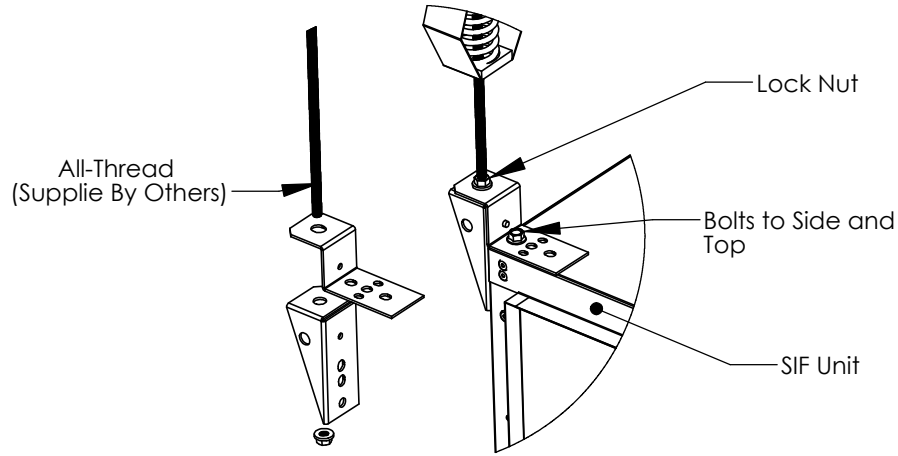
4. Ring Adapter Assembly



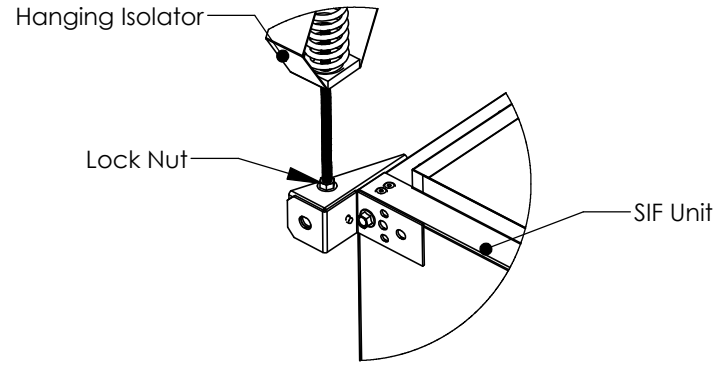
5. Square to Round Discharge Duct Adapter

# Square Inline Mount Details

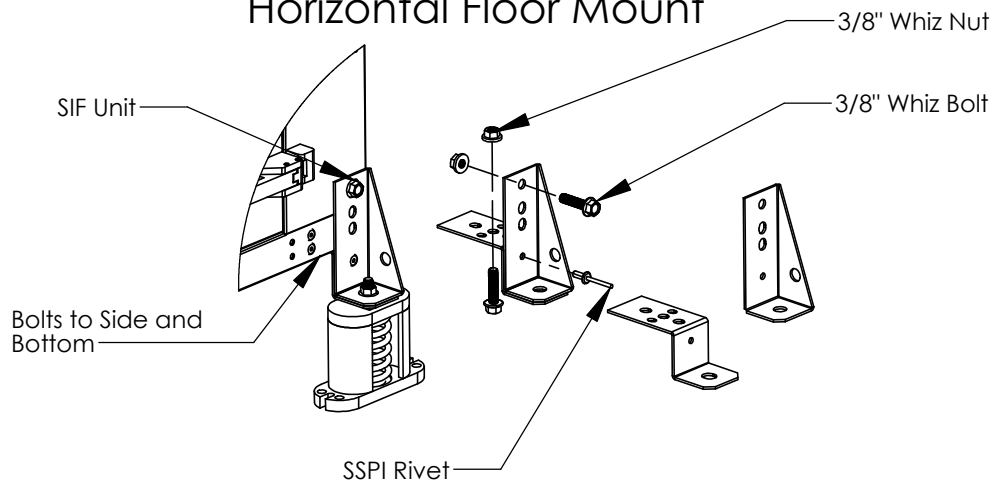
## Horizontal Overhead Mount



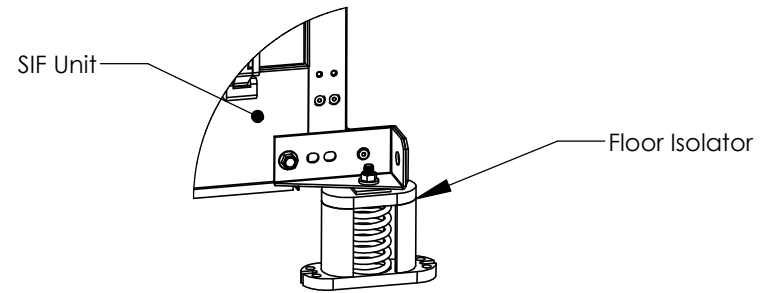
## Vertical Overhead Mount



## Horizontal Floor Mount

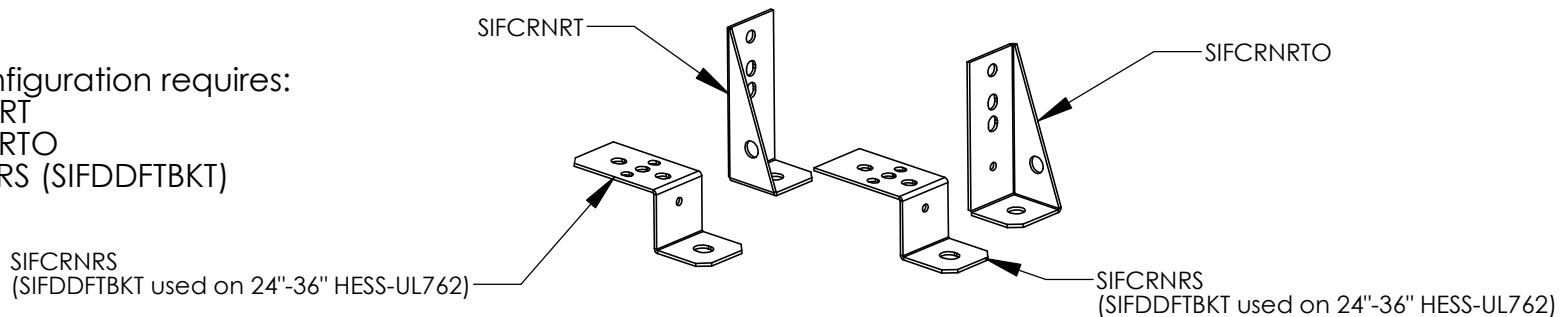


## Vertical Floor Mount



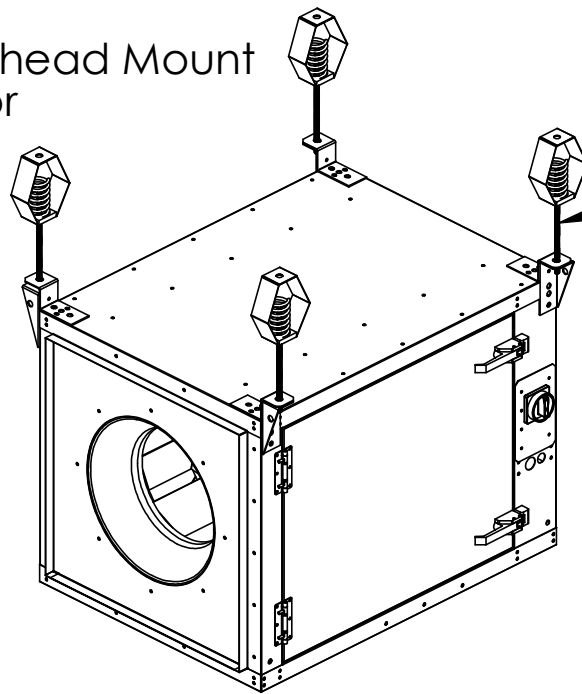
Each Mounting configuration requires:

- (2) SIFCRNRT
- (2) SIFCRNRTO
- (4) SIFCRNRS (SIFDDFTBKT)

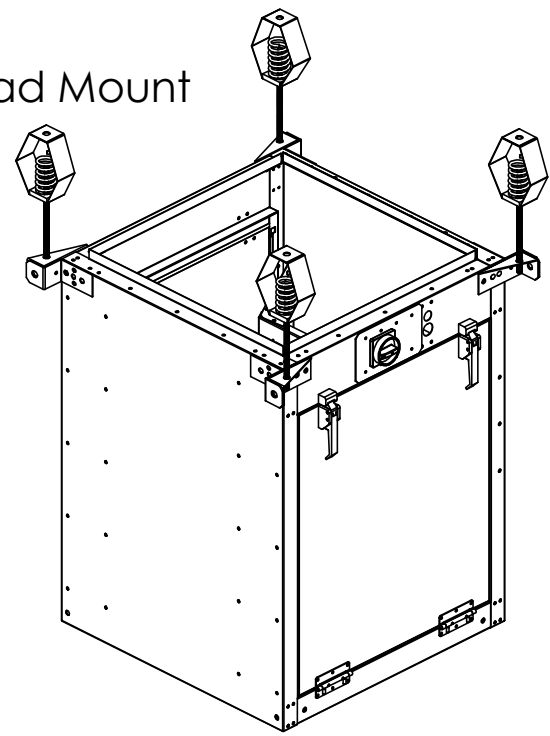


# Square Inline Mount Orientations

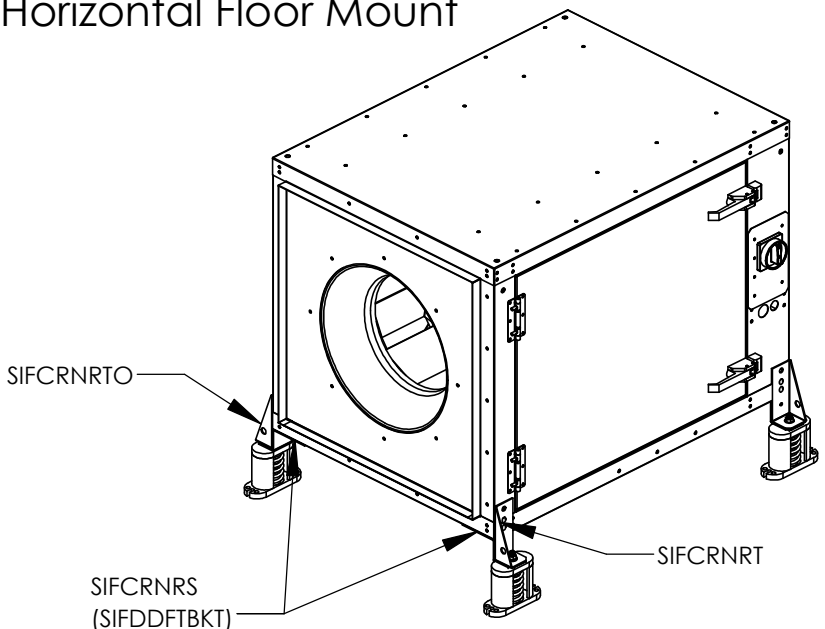
Horizontal Overhead Mount  
Hanging Isolator



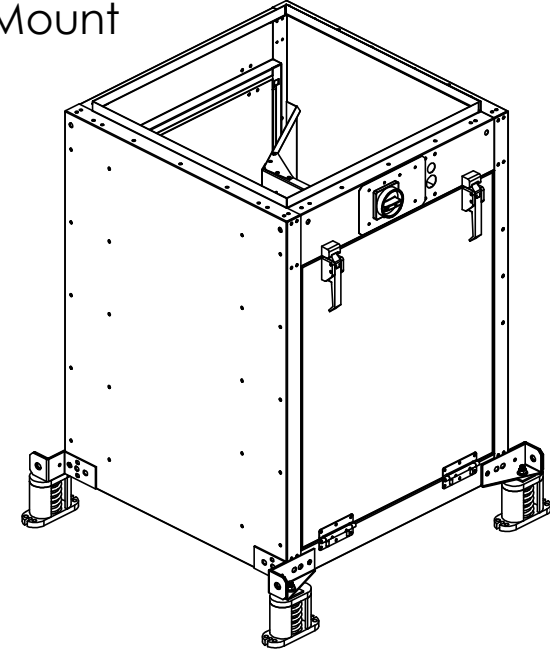
Vertical Overhead Mount



Horizontal Floor Mount



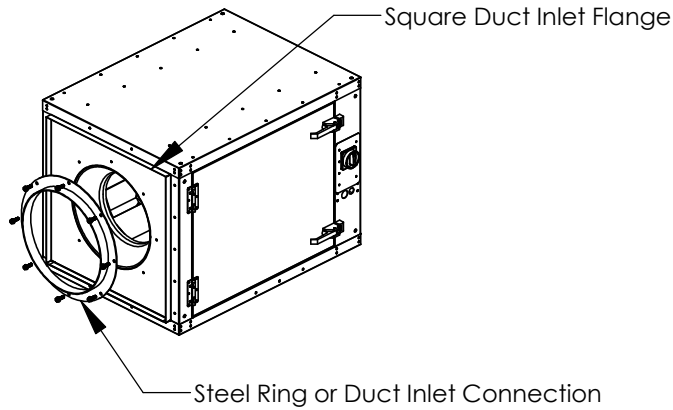
Vertical Floor Mount



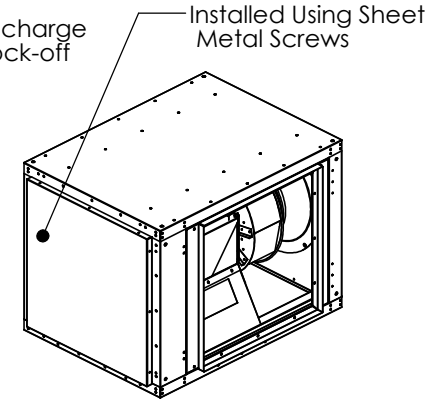
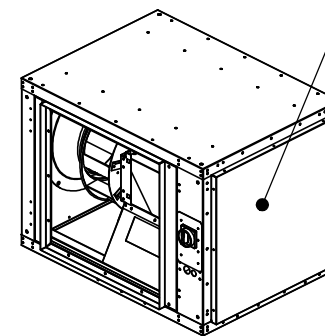
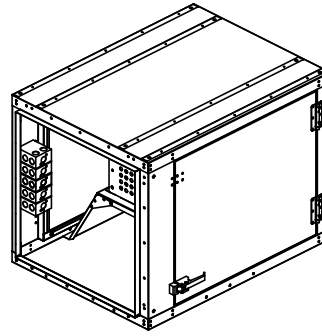


# Square Inline Inlet/Discharge Configurations

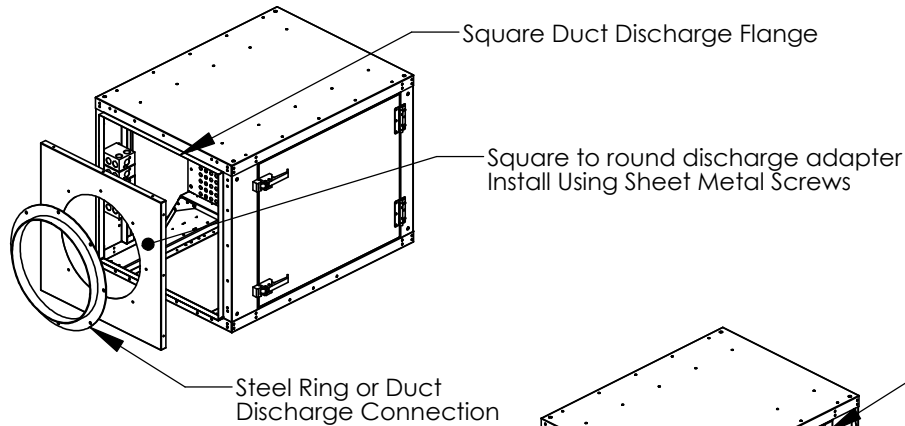
## Inlet Options



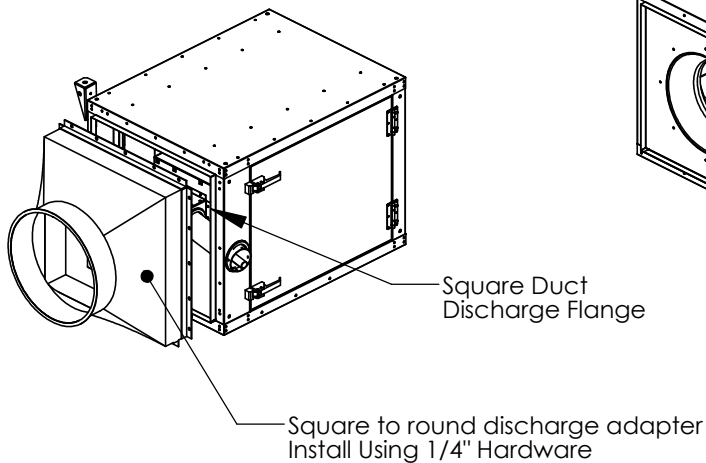
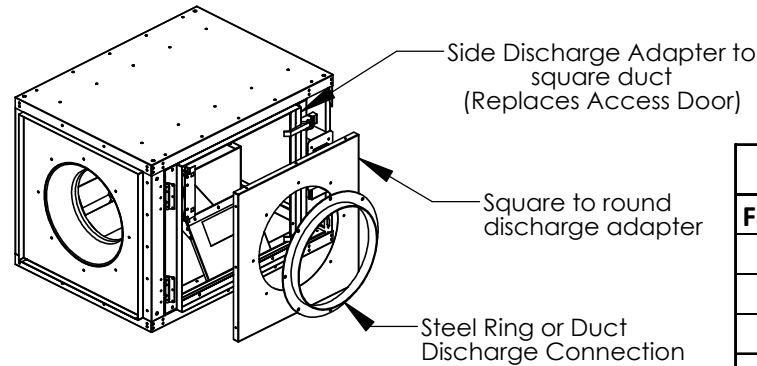
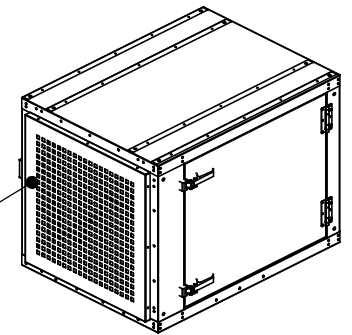
## Discharge Configurations



## Discharge Options



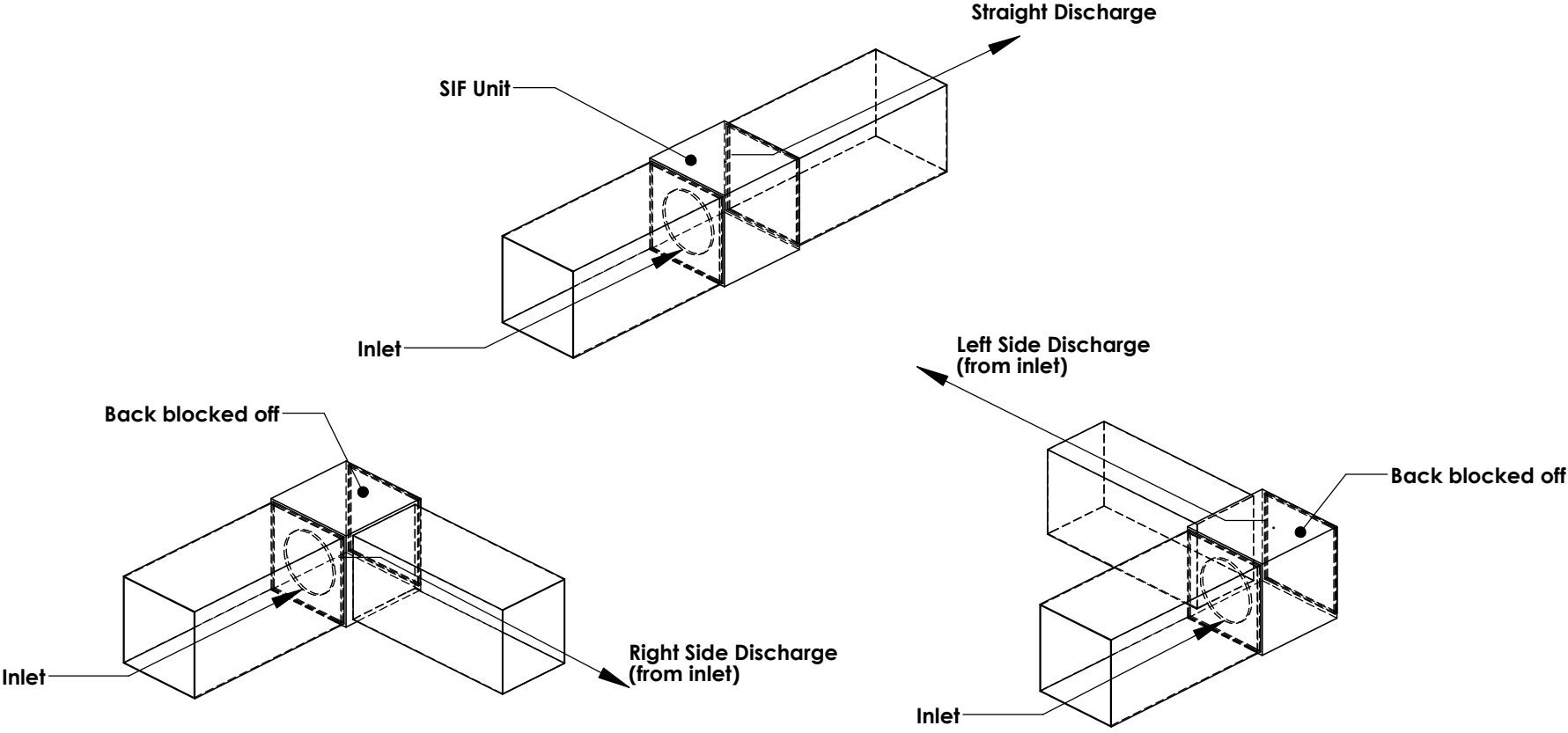
Inlet/Discharge Screen  
Install Using Sheet Metal Screws  
(only available on square duct connection)



### Inlet/ Outlet Connections

Fan Size	Square Duct Dim	Duct Diameter	Steel Ring OD
9-10	12"x12"	10"	N/A
11	16"x16"	12"	12.5"
13	18"x18"	14"	13.5"
15	23"x23"	16"	15.25"
18	24"x24"	20"	18.5"
20	28"x28"	20"	19.625"
24	35"x35"	24"	25.375"
30	42"x42"	24"	24.375"
36	48"x48"	30"	30.5"

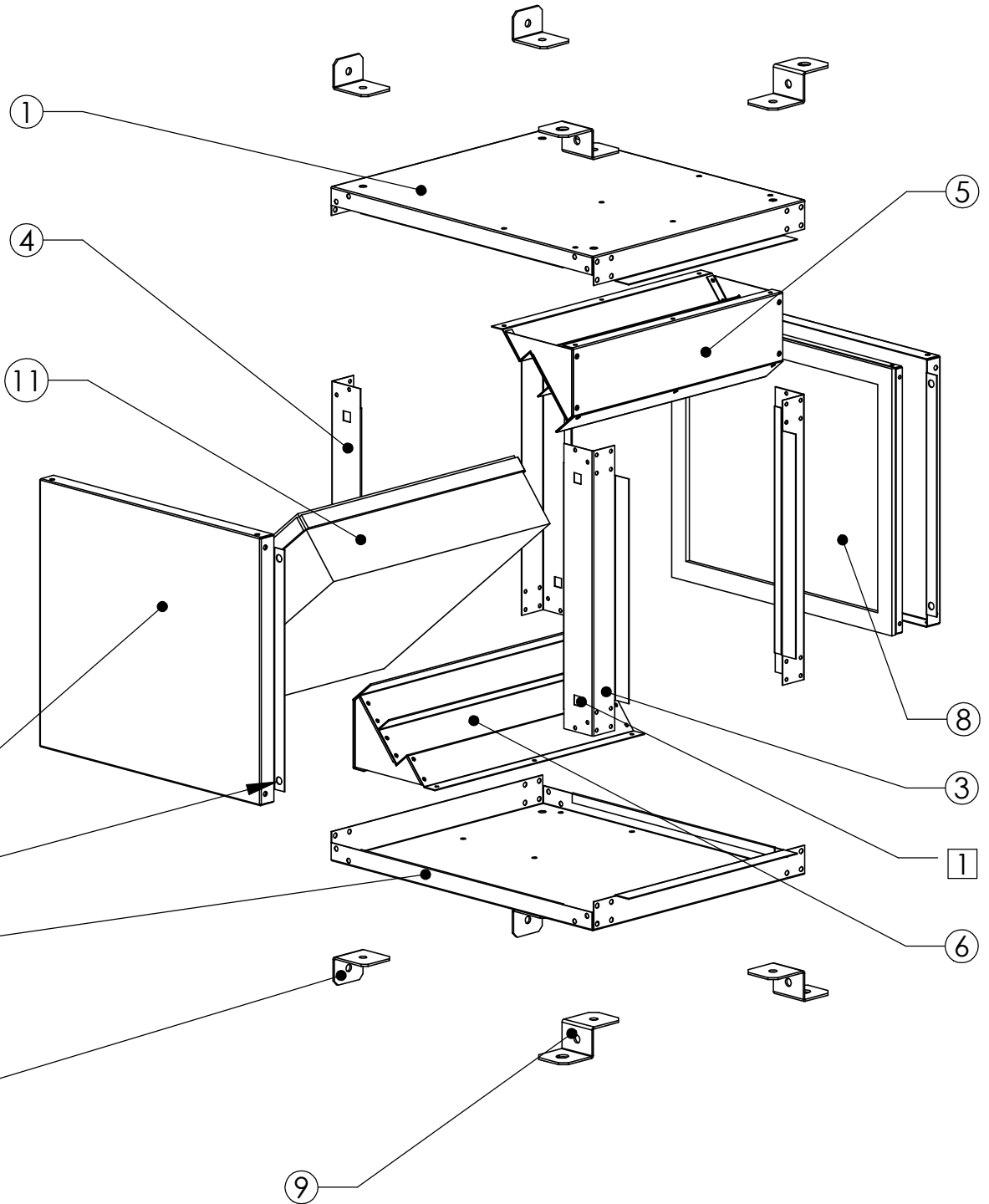
# Square Inline Discharge Orientations



### 9 & 10 Square Inline Fan Filter Bank - Part Information

# SIF 9 & 10 Filter Bank

ITEM NO.	QTY.	Description	Part Number
1	1	Base	SIF910FBB
2	1	Top	SIF910FBT
3	2	Back Post	SIF910FBBP
4	2	Front Post	SIF910FBFP
5	2	Filter Rack	SIF910FBFR
6	2	Filter Rack - 2in Rack	SIF910FB2INF
7	2	Door	SIF910FBD
8	2	Door Liner	SIF910FBDL
9	-	Corner Support	SIFCRNRS
10	8	Connecting Bracket	SIF910BRACKET
11	1	16in X 16in Filter	SEE NOTE



**Filter Note:**

**Filter Options:**

- 2IN EZ KLEEN
- 2IN MERV 8
- 2IN MERV 13
- 4IN MERV 15
- 4IN HEPA

**Hardware List:**

- 1 A0026236 - 1/4"-20 Cage Nut for 20 Gauge
- 2 A0005696 - 1/4"-20 X 1 in Hex Head Bolt

**Square Inline Fan Filter Bank - Part Information**

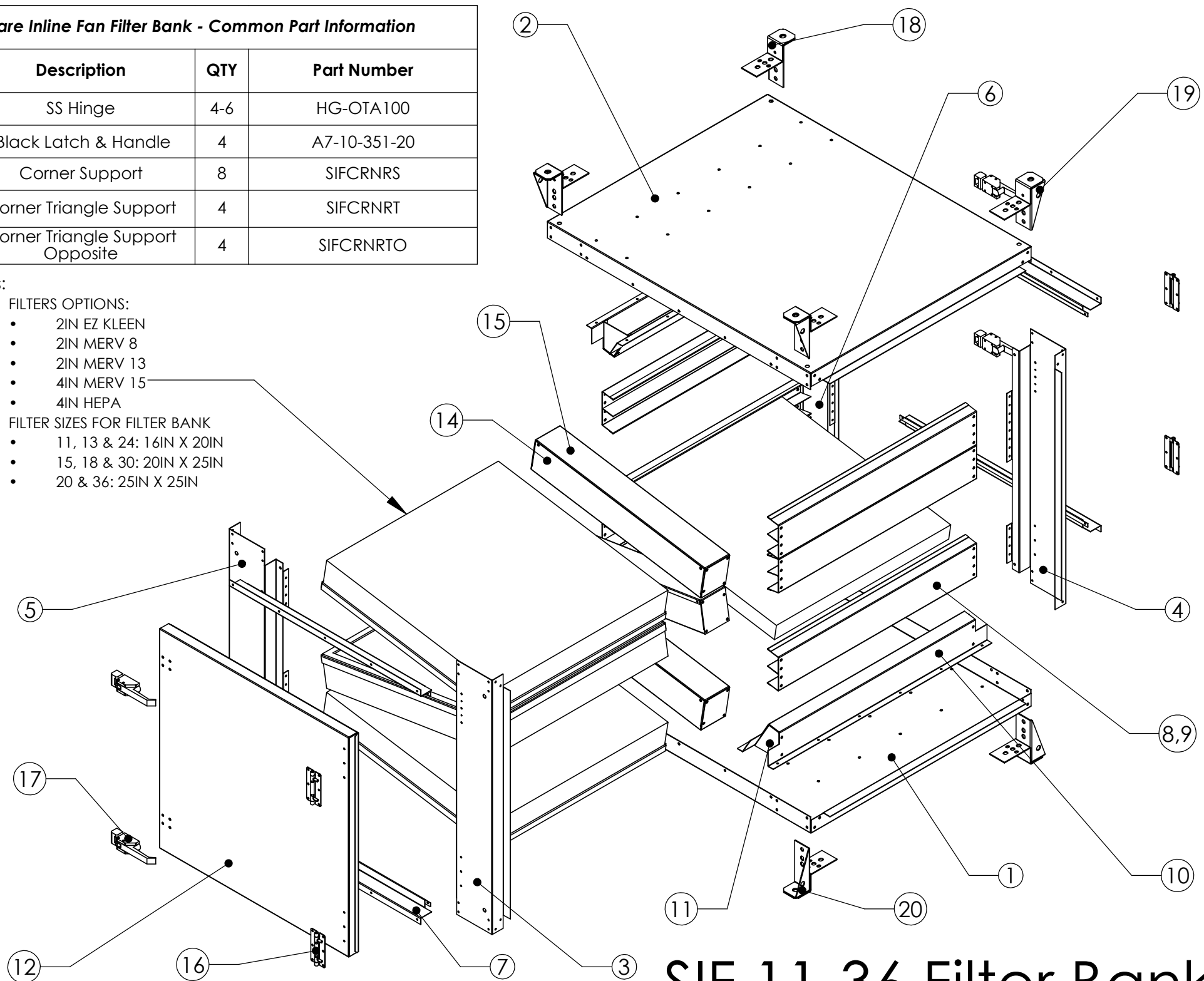
Item No.	Description	QTY	SIF 11	QTY	SIF 13	QTY	SIF 15	QTY	SIF 18	QTY	SIF 20	QTY	SIF 24	QTY	SIF 30	QTY	SIF 36
1	Base	1	SIF11FBBT	1	SIF13FBBT	1	SIF15FBB	1	SIF18FBB	1	SIF20FBB	1	SIF24FBBT	1	SIF30FBBT	1	SIF36FBBT
2	Top	1	SIF11FBBT	1	SIF13FBBT	1	SIF15FBT	1	SIF18FBT	1	SIF20FBT	1	SIF24FBBT	1	SIF30FBBT	1	SIF36FBBT
3	Back Post	1	SIF11FBBP	1	SIF13FBBP	1	SIF15FBBP	1	SIF18FBBP	1	SIF20FBBP	1	SIF24FBBP	1	SIF30FBBP	1	SIF36FBBP
4	Opposite Back Post	1	SIF11FBOBP	1	SIF13FBOBP	1	SIF15FBOBP	1	SIF18FBOBP	1	SIF20FBOBP	1	SIF24FBOBP	1	SIF30FBOBP	1	SIF36FBOBP
5	Front Post	1	SIF11FBFP	1	SIF13FBFP	1	SIF15FBFP	1	SIF18FBFP	1	SIF20FBFP	1	SIF24FBFP	1	SIF30FBFP	1	SIF36FBFP
6	Opposite Front Post	1	SIF11FBOFP	1	SIF13FBOFP	1	SIF15OFP	1	SIF18OFP	1	SIF20OFP	1	SIF24FBOFP	1	SIF30FBOFP	1	SIF36FBOFP
7	Base - Door Flange	4	SIF11FBBDF	4	SIF13FBBDF	4	SIF15FBBDF	4	SIF18FBBDF	4	SIF20FBBDF	4	SIF24FBBDF	4	SIF30FBBDF	4	SIF36FBBDF
8	Filter Rack	4	SIF11FBFR	4	SIF13FBFR	6	SIF15FBFR	6	SIF18FBFR	6	SIF20FBFR	8	SIF24FBFR	8	SIF30FBFR	8	SIF36FBFR
9	Filter Rack - 2in Rack	4	SIF11FB2INF	4	SIF13FB2INF	6	SIF15FB2INF	6	SIF18FB2INF	6	SIF20FB2INF	8	SIF24FB2INF	8	SIF30FB2INF	8	SIF36FB2INF
10	Filter Rack Blank	2	SIF11FBFRB	2	SIF13FBFRB	2	SIF15FBFRB	2	SIF18FBFRB	2	SIF20FBFRB	2	SIF24FBFRB	2	SIF30FBFRB	2	SIF36FBFRB
11	Filter Rack Blank Cover	4	SIF11FBFRBC	4	SIF13FBFRBC	4	SIF15FBFRBC	4	SIF18FBFRBC	4	SIF20FBFRBC	4	SIF24FBFRBC	4	SIF30FBFRBC	4	SIF36FBFRBC
12	Door	2	SIF11FBD	2	SIF13FBD	2	SIF15FBD	2	SIF18FBD	2	SIF20FBD	2	SIF24FBD	2	SIF30FBD	2	SIF36FBD
13	Door Liner	2	SIF11FBDL	2	SIF13FBDL	2	SIF15FBDL	2	SIF18FBDL	2	SIF20FBDL	2	SIF24FBDL	2	SIF30FBDL	2	SIF36FBDL
14	Filter Blank			2	SIF13FBFB2 SIF13FBFB4	3	SIF15FBFB2 SIF15FBFB4			3	SIF20FBFB2 SIF20FBFB4	4	SIF24FBFB2 SIF24FBFB4	4	SIF30FBFB2 SIF30FBFB4		
15	Opposite Filter Blank			2	SIF13FBFB2 SIF13FBFB4	3	SIF15FBFB2 SIF15FBFB4			3	SIF20FBFB2 SIF20FBFB4	4	SIF24FBFB2 SIF24FBFB4	4	SIF30FBFB2 SIF30FBFB4		

### Square Inline Fan Filter Bank - Common Part Information

Item No.	Description	QTY	Part Number
16	SS Hinge	4-6	HG-OTA100
17	Black Latch & Handle	4	A7-10-351-20
18	Corner Support	8	SIFCRNRS
19	Corner Triangle Support	4	SIFCRNRT
20	Corner Triangle Support Opposite	4	SIFCRNRTO

#### Filter Notes:

- FILTERS OPTIONS:
  - 2IN EZ KLEEN
  - 2IN MERV 8
  - 2IN MERV 13
  - 4IN MERV 15
  - 4IN HEPA
- FILTER SIZES FOR FILTER BANK
  - 11, 13 & 24: 16IN X 20IN
  - 15, 18 & 30: 20IN X 25IN
  - 20 & 36: 25IN X 25IN



# SIF 11-36 Filter Bank